



X1176

Connection unit M-Bus/SIOX

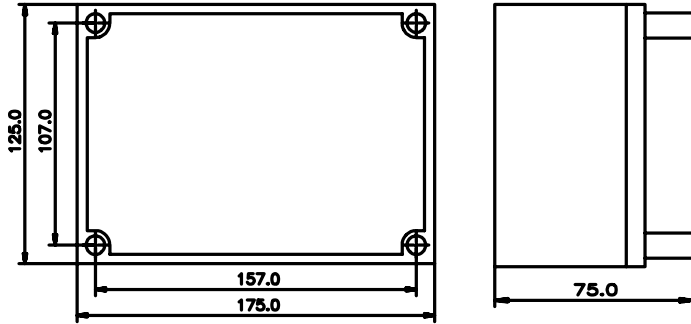
External interface converter for connection of meters to processor controllers.

- Connected to controller with RS232, RS485 (EXOline) or hEXOline
- Meters are connected to X1176 via SIOX or M-Bus
- Supply voltage 24 V DC/AC
- IP65 polycarbonate casing
- Different brands of meters can be connected along the same communication cable

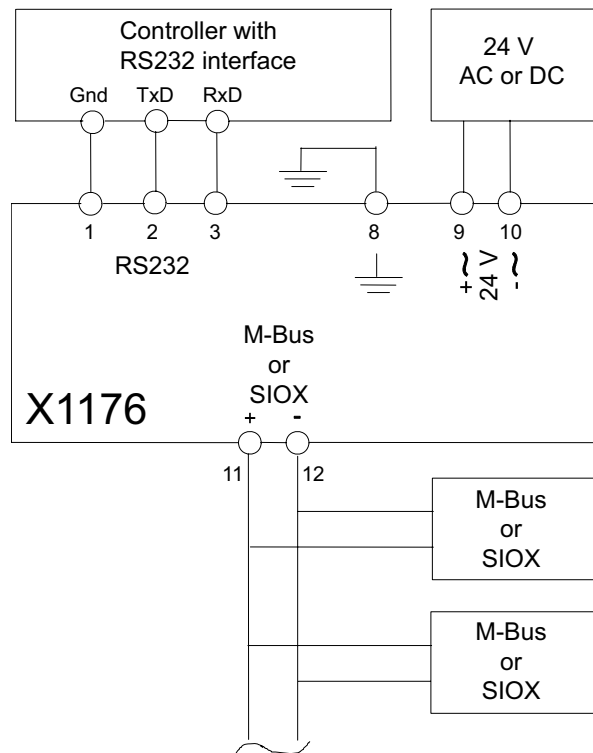
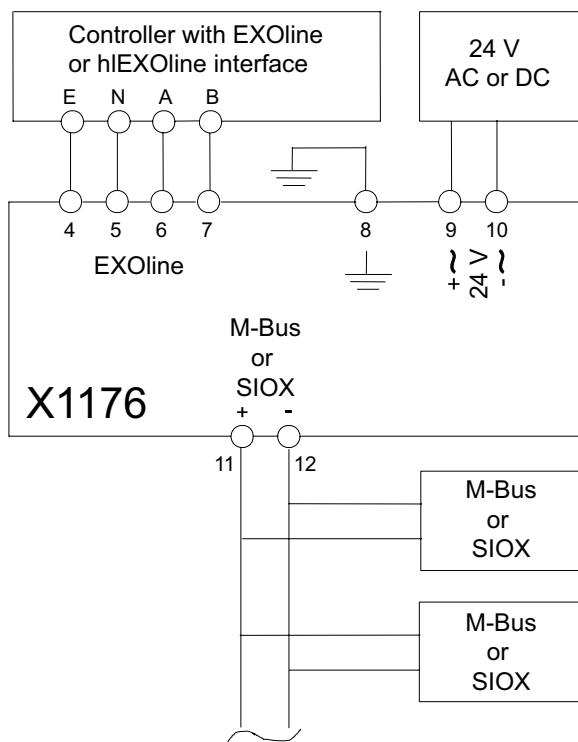
X1176 is an independent unit using the SIOX or M-Bus interface.

Different brands of meters using SIOX or M-Bus can be mixed on the same cable, on condition that they are using the same interface. The interface type is selected via a jumper on the card. In other words, SIOX and M-Bus cannot be used on the same cable.

Dimensions



Connections



Technical data

Supply voltage	24 V DC/AC
Tolerance	18...30V DC/AC
Supply voltage, excluding load	Max. 15mA
Supply voltage, short-circuited load	Max. 450mA
Internal, galvanic isolation	Common mode $\pm 100V$
Dimensions (BxHxD)	175 x 125 x 75 mm
Material, casing	Polycarbonate
Protection class	IP65
Number of cable inlets (\varnothing 7-10 mm)	7

Communication

Communication Speed	300...2400bps
Galvanically isolated line, primary and secondary port	Common mode $\pm 100V$

Primary port, RS232

Elektrical specification	RS232, DCE
Internal supply voltage	$\pm 9V$

Primary port, EXOline

Elektrical specification	RS485 with control signal
--------------------------	---------------------------

Primary port, hIEXOline

Elektrical specification	Modified RS485 with control signal
--------------------------	------------------------------------

Secondary port, M-Bus & SIOX

Short-circuit current	Max. 130mA
Galvanic isolation	Common mode voltage $\pm 100V$
Line driver impedance	Approx. 50 Ohm
Output voltage for driver, M-Bus	Max. 42V
Output voltage for driver, SIOX	Max. 24V

Environment

Operating temperature	0-50°C
Ambient humidity	Max. 95%, non-condensing
Storage temperature	-50 to +70°C



The product conforms with the requirements of European EMC standards CENELEC EN 61000-6-1:2001 and EN-6-3:2001 and carries the CE mark.

Product documentation

Document	Type
M2154, M-Bus and SIOX in EXO Systems.pdf	Manual describing how to use the X1176 converter in an EXOsystem

Head Office Sweden

Phone: +46 31 720 02 00
 Web: www.regin.se
 Mail: info@regin.se

Sales Offices

France: +33 1 41 71 00 34
 Germany: +49 30 77 99 40
 Spain: +34 91 826 54 06
 Hong Kong: +852 24 07 02 81
 Singapore: +65 67 47 82 33

