



# TUA-C/CD

Humidity transmitter for room mounting

*Wall mounted room transmitters for measuring humidity in indoor environments.*

- Output signal 4...20 mA
- With or without display
- Good long-term stability
- Humidity range 0...100 % RH
- Easy installation

## Function

The sensor is mounted in the cover-part of the casing. The cover is easy to detach from the back by means of snap-in grips and detachable terminals which makes mounting easy. Furthermore, no cables have to be disconnected, simplifying service and replacement.

### RELATIVE HUMIDITY

The transmitters have a capacitive thin-film element which gives a signal that is proportional to the relative humidity. The measuring signal is converted by the built-in electronics to output signal 4...20 mA (corresponding to 0...100 % RH). The sensor element has rapid response to changes in humidity, and excellent long-term stability. The element also has good durability in contaminated environments.

### SUPPLY VOLTAGE

The transmitter uses a supply voltage of max. 28 V DC and min.  $11 + (0.02 \times RL)$  V DC.

## Appearance

The transmitter comes in a discreet white housing. The version .../CD has a LCD display showing humidity.

## Installation

The transmitter should be mounted in a location with good air circulation where it can be expected to give a representative reading. It can be mounted on a wall box or directly on the wall.

### MAIN OFFICE BRESSANONE

I-39042 Bressanone (BZ)  
via Julius-Durst-Str. 70  
VAT No. IT02748450216

tel: +39 0472 830626  
fax: +39 0472 831840  
www.industrietechnik.it

TUA-C/CD

## Technical data

<b>Output signal</b>	4...20 mA (2 wire, RH= 0...100 % RH)
<b>Supply voltage</b>	Max. 28 V DC, Min. $11+(0.02 \times R_L)$ V DC
<b>Power consumption</b>	0.6 W
<b>DC power</b>	Min. 1 W
<b>Humidity range</b>	0...100 % RH
<b>Ambient humidity range</b>	0...95 % RH (non-condensing)
<b>Accuracy, humidity</b>	$\pm 3\%$ RH at 20 °C
<b>Protection class</b>	IP30
<b>Isolation class</b>	III
<b>Dimensions (WxHxD mm)</b>	100 x 85 x 30.5

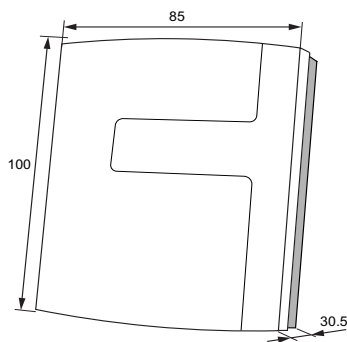
## CE

**Low Voltage Directive (LVD) standards:** This product conforms to the requirements of the European Low Voltage Directive (LVD) 2014/35/EU through product standards EN 60730-1/A16

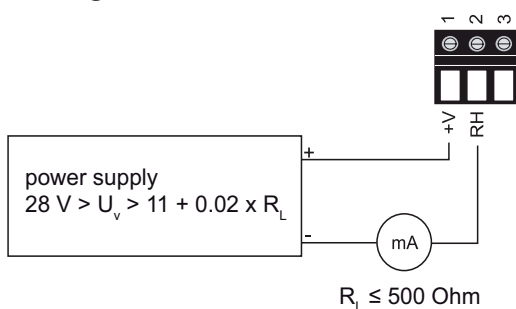
**EMC emissions & immunity standards:** This product conforms to the requirements of the EMC Directive 2014/30/EU through product standards EN 61000-6-1 and 61000-6-3.

**RoHS:** This product conforms to the Directive 2011/65/EU of the European Parliament and of the Council through standard 50581:2012.

## Dimensions



## Wiring



## Product documentation

Document	Description
Instruction TUA-C/CD	Instruction for installation and commissioning

The product documentation can be downloaded from [www.industrietechnik.it](http://www.industrietechnik.it)

### MAIN OFFICE BRESSANONE

I-39042 Bressanone (BZ)  
via Julius-Durst-Str. 70  
VAT No. IT02748450216

tel: +39 0472 830626  
fax: +39 0472 831840  
[www.industrietechnik.it](http://www.industrietechnik.it)

TUA-C/CD