



TTA

Temperature transmitter for room mounting

Wall mounted room transmitters for measuring temperature in indoor environments.

- Output signal 0...10 V or Modbus
- With or without display
- Good long-term stability
- Temperature range 0...50 °C
- Easy installation

Function

The sensor is mounted in the cover-part of the casing. The cover is easy to detach from the back by means of snap-in grips and detachable terminals which makes mounting easy. Furthermore, no cables have to be disconnected, simplifying service and replacement.

TEMPERATURE

The transmitter has a built in temperature sensor, which gives output signal 0...10 V and has a temperature range of 0...50°C. In the versions ... -M the output will result in a Modbus signal.

SUPPLY VOLTAGE

The transmitter uses a supply voltage of max. 24 V AC $\pm 10\%$ / 15...35 V DC.

Appearance

The transmitter comes in a discreet white housing. The versions ...-D has a LCD display showing temperature.

Installation

The transmitter should be mounted in a location with good air circulation where it can be expected to give a representative reading. It can be mounted on a wall box or directly on the wall.

MAIN OFFICE BRESSANONE

I-39042 Bressanone (BZ)
via Julius-Durst-Str. 70
VAT No. IT02748450216

tel: +39 0472 830626
fax: +39 0472 831840
www.industrietechnik.it

TTA

- 1 -

Technical data

Output signal	24 V AC $\pm 10\%$ / 15...35 V DC
Power consumption	< 1 W
Transformer power	≥ 2 VA
Working range, temperature	0...50 °C
Ambient temperature	0...50 °C
Ambient humidity	10...90 % (non-condensing)
Protection class	IP30
Isolation class	III

Models

Article	Temperature range	Output signal	Accuracy	Display
TTA	0...50 °C	0...10 V	± 0.4 °C	-
TTA-D	0...50 °C	0...10 V	± 0.4 °C	X
TTA-M	0...50 °C	Modbus	± 0.2 °C	-
TTA-D-M	0...50 °C	Modbus	± 0.2 °C	X

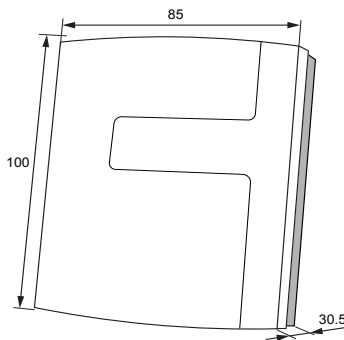
CE

Low Voltage Directive (LVD) standards: This product conforms to the requirements of the European Low Voltage Directive (LVD) 2014/35/EU through product standards EN 60730-1/A16

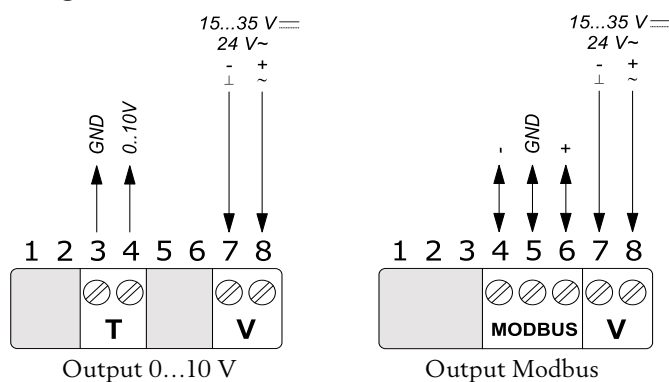
EMC emissions & immunity standards: This product conforms to the requirements of the EMC Directive 2014/30/EU through product standards EN 61000-6-1 and 61000-6-3.

RoHS: This product conforms to the Directive 2011/65/EU of the European Parliament and of the Council through standard 50581:2012.

Dimensions



Wiring



MAIN OFFICE BRESSANONE

I-39042 Bressanone (BZ)
via Julius-Durst-Str. 70
VAT No. IT02748450216

tel: +39 0472 830626
fax: +39 0472 831840
www.industrietechnik.it

TTA

- 2 -

Product documentation

Document	Description
Instruction TTA	Instruction for installation and commissioning

The product documentation can be downloaded from www.industrietechnik.it

MAIN OFFICE BRESSANONE

I-39042 Bressanone (BZ)
via Julius-Durst-Str. 70
VAT No. IT02748450216

tel: +39 0472 830626
fax: +39 0472 831840
www.industrietechnik.it

TTA

- 3 -