



Transmitters with one or two universal outputs.

TPDAxxxxAx

Differential pressure transmitters for HVAC applications

- Uses a sensor technology that offers very high accuracy and excellent long-term stability
- Small and compact design
- Easy installation
- Less wiring is required
- Operating temperature -25...+50°C
- Two 0...10 V or 4...20 mA outputs
- Can be mounted vertically or horizontally

The TPDA..... range consists of single or dual port pressure transmitters with one or two universal outputs. The transmitter can be configured for 0...10 V or 4...20 mA output signal.

Five different models are available (see table on page 2).

Smart sensor technology

There are one or two MEMS dual-chip medical grade sensor modules for general use with neutral gases. This technology offers very high accuracy and excellent long-term stability.

Compact design and flexible universal outputs

TPDA..... has a small and compact design. Depending on model, it contains either one or two sensors and one or two universal outputs in the same casing. The universal outputs can be individually configured as 0...10 V or 4...20 mA outputs.

DIP-switch

The transmitter features one or two DIP-switches for setting up suitable pressure range, output function and damping time factor. If the DIP-switch settings are changed, all changes will take effect immediately.

Easy installation and wiring

The unit can be mounted either vertically or horizontally. If it is installed in a humid environment, vertical mounting is recommended to allow moisture to escape.

Two separate cable inlets, a large angled terminal and generous space make wiring easy.

MAIN OFFICE BRESSANONE

I-39042 Bressanone (BZ)
via Julius-Durst-Str. 70
P. IVA IT02748450216

tel: +39 0472 830626
fax: +39 0472 831840
www.industrietechnik.it

TPDAxxxxAx

Technical data

SUPPLY VOLTAGE	24 V AC/DC ±15%
PROTECTION CLASS	IP54
CALCULATED POWER CONSUMPTION	Mode 0..10 V: 2 VA (rms) / min. trafo size 7,5 VA Mode 4..20 mA: 2,7 VA (rms) / min. trafo size 9 VA
OVERALL ACCURACY PRESSURE	< ±1% full scale
ANNUAL DEVIATION (TYPICAL)	models ...P1250: ± 2 Pa models ...P2500: ± 4 Pa models ...P7500: ± 20 Pa
DAMPING (SETTABLE)	1,2,4 e 8 s
OPERATING TEMPERATURE RANGE	-25...+50 °C
OPERATING HUMIDITY	Max 95% UR (non-condensing)
OVERVOLTAGE ON ANY TERMINAL	Max ±18 V (referenced to Gnd)
CE	EMC emissions & immunity standards: This product conforms to the requirements of the EMC Directive 2014/30/EU through product standard EN 60730-1. RoHS: This product conforms to the Directive 2011/65/EU of the European Parliament and of the Council.
■ UNIVERSAL OUTPUTS PS1, PS2	
CONFIGURED AS 0...10 V	Load impedance ≥ 10 kΩ Output impedance ≤ 35Ω
CONFIGURED AS 4...20 mA	Output is actively sourced into a resistive load impedance to signal ground. The load impedance must be between 40...500Ω

Models with pressure ranges (full scale)

MODEL		NUMERO DI SENSORI	PRESSURE RANGE Pa	mbar	mmH2O	inH2O
TPDA-12A	PS1	One	0...1250	0...12.5	0...125	0...5
TPDA-25A	PS1		0...2500	0...25	0...250	0...10
TPDA-75A	PS1		0...7500	0...75	0...750	0...30
TPDA-1225A2	PS1	Two	0...1250	0...12.5	0...125	0...5
	PS2		0...2500	0...25	0...250	0...10
TPDA-1275A2	PS1	Two	0...1250	0...12.5	0...125	0...5
	PS2		0...7500	0...75	0...750	0...30

Pressure range, options

	Scale	Sens.1250 Pa	Sens.2500 Pa	Sens.7500 Pa
OUTPUT (Pa)	Range 1	0...50	0...100	0...1000
	Range 2	0...100	0...300	0...2000
	Range 3	0...300	0...500	0...3000
	Range 4	0...500	0...1000	0...4000
	Range 5	0...700	0...1500	0...5000
	Range 6	0...1000	0...2000	0...6000
	Range 7	0...1250	0...2500	0...7500

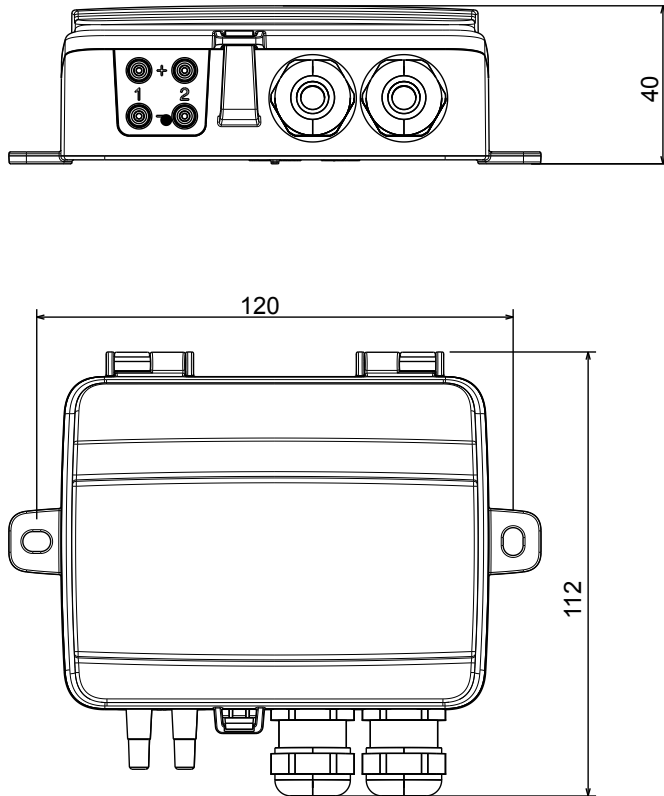
MAIN OFFICE BRESSANONE

I-39042 Bressanone (BZ)
via Julius-Durst-Str. 70
P. IVA IT02748450216

tel: +39 0472 830626
fax: +39 0472 831840
www.industrietechnik.it

TPDAxxxxAx

Dimensions (mm)



Wiring

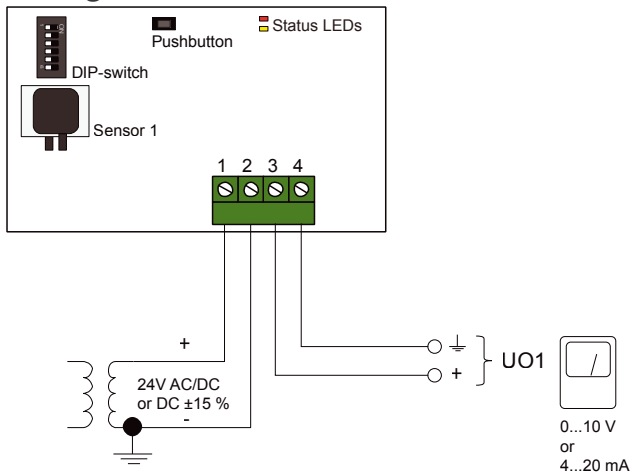


Fig. 1: Wiring for models with one sensor

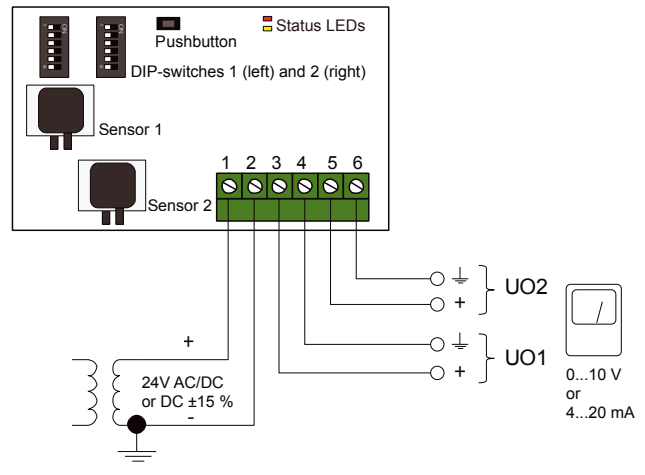


Fig. 2: Wiring for models with two sensors

Product documentation

DOCUMENT	TYPE
INSTRUCTION TPDAXXXXAX.	Instructions for TPDAXXXXAx.

MAIN OFFICE BRESSANONE

I-39042 Bressanone (BZ)
via Julius-Durst-Str. 70
P. IVA IT02748450216

tel: +39 0472 830626
fax: +39 0472 831840
www.industrietechnik.it

TPDAXXXXAx