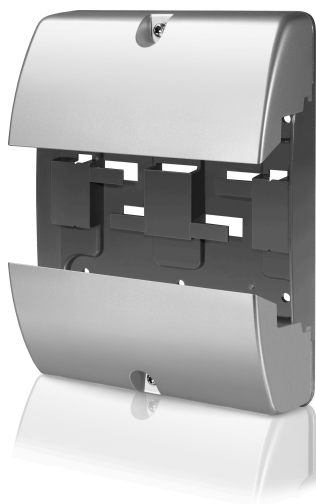


# TP-AE

## Terminal protection kit



Base plate with terminal protection covers for Ardo and Eedo controllers.

- ✓ Increases the protection class for the controller
- ✓ Easy to mount on various surfaces
- ✓ Many alternative routes for the cables via the base plate or the protection covers

## Application

The terminal protection kit can be used on Ardo and Eedo controllers. It protects the controller against tampering as well as increases the protection class for the controller.

## Installation

TP-AE is designed to ensure an easy and smooth installation. A built-in DIN rail together with mounting holes in the base plate allow several different and flexible mounting possibilities. Cables can either reach the controller via dedicated holes in the base plate or via the edges along the side cover. The base plate also has built-in channels that enables cables to be redirected from the top side to the bottom side, or the other way around.

The protection covers are easy to mount and dismount as only one screws per piece is required.

## Technical data

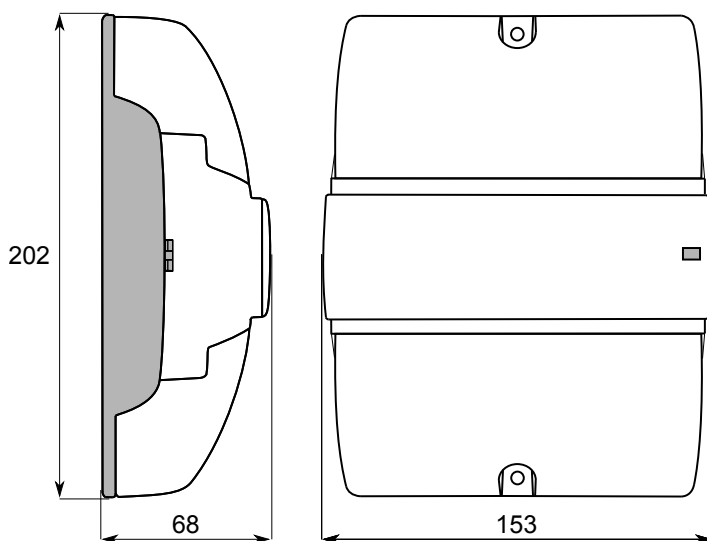
<b>Protection class</b>	IP30 <sup>1</sup>
<b>Mounting</b>	DIN-rail or wall
<b>Weight, incl. packaging</b>	0.28 kg
<b>Dimensions, external (WxHxD)</b>	153 x 202 x 68 mm (including the controller)
<b>Material</b>	Polycarbonate (PC)

1. For the controller, when the terminal protection kit is used



This product carries the CE-mark. More information is available at [www.regincontrols.com](http://www.regincontrols.com).

## Dimensions



[mm]

## Documentation

All documentation can be downloaded from [www.regincontrols.com](http://www.regincontrols.com).