



ROOM THERMOSTATS, IP20

TA

FUNCTION

Room temperature control with:

- setpoint adjustment by knob;
- manual On/Off (TA33/I);
- manual summer/winter switching (TA34/I);
- led for activated output indication (TA33/I/34/I).

APPLICATIONS

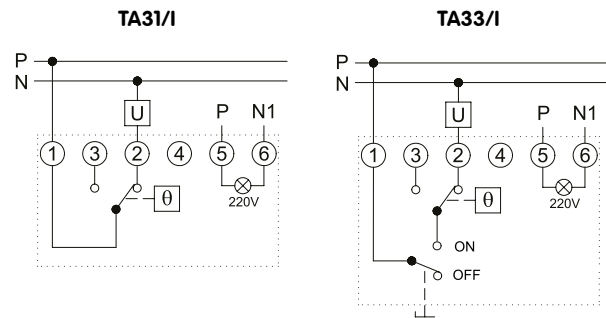
Well-suited in close and dry areas for the large variety of applications in the heating, cooling and air conditioning field.

TYPE	RANGE °C	DIFFERENTIAL K	FUNCTION
TA31/I	+5...+30	<1	SPDT
TA33/I	+5...+30	<1	SPDT + ON/OFF
TA34/I	+5...+30	<1	S/W

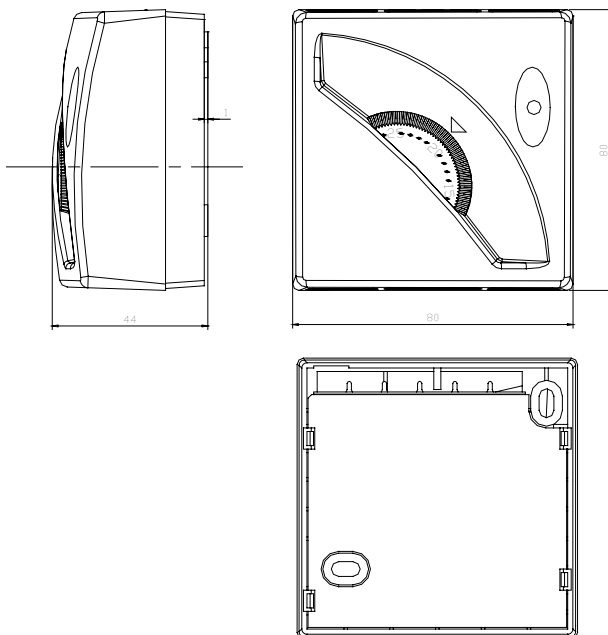
TECHNICAL DATA

Sensitive element: gas-filled bellows with membrane
Contacts: NO/NC 250 Vac 16 (2,5) A
Differential: see table
Max. temp. : +50 °C
 10...90% r.h. (without condensing)
Storage: 0...+50 °C
 < 95% r.h.
Housing: ABS fireproof according UL94 V-0
 color (Euro White)
Protection: IP20
Size: 80 x 80 x 44 mm
Weight: 128 g

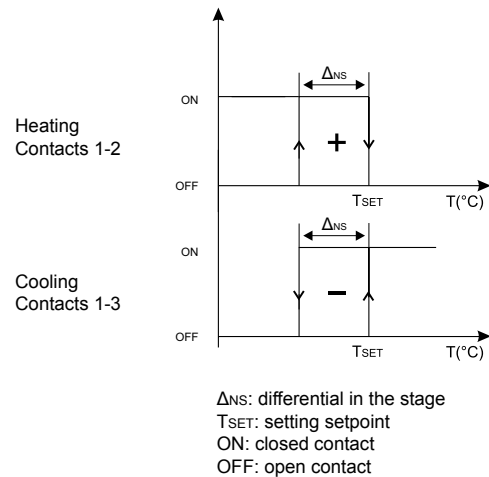
WIRING DIAGRAM



DIMENSIONS (mm)



Logic activation:



TA34/I

