

# STM

Duct sensor with housing for average temperature measurement



*Sensor with a 4-point average temperature measurement for duct mounting.*

- Sealed housing with IP65
- Easy access to connection
- Replaceable cable gland

## Application

The duct sensor measures the average air temperature in ventilation and air handling installations. It can be used for a wide range of applications.

## Function

The duct sensor is suitable for all environments. Since the mounting bracket is made of a flexible material it closes tightly against the duct.

The average temperature is based on measurements from four sensor elements along the cable.

## Installation

The duct sensor is easily mounted with clamps and is held in place inside the duct by springs.

The terminal block for connecting the analog input to a controller is located under the cover. The cover is easily removed from the base with a twist.

The sensor is designed so that the seal remains in the cover at all times and the cable gland is replaceable.

### MAIN OFFICE BRESSANONE

I-39042 Bressanone (BZ) tel: +39 0472 830626  
 via Julius-Durst-Str. 50 fax: +39 0472 831840  
 VAT No. IT02748450216 www.industrietechnik.it

STM

## Technical data

Protection class	IP65
Time constant	63 s at 2 m/s and 43 s at 5 m/s
Measuring range, temperature	-20...+70 °C
Cable gland	M16
Diameter, probe	8 mm
Dimensions, external (WxHxD)	78 x 132 x 104 mm
Weight (incl. packaging)	0.25 kg
Insertion length	0...70 mm, adjustable
Sensor cable length	3 m



This product carries the CE-mark. More information is available at [www.industrietechnik.it](http://www.industrietechnik.it).

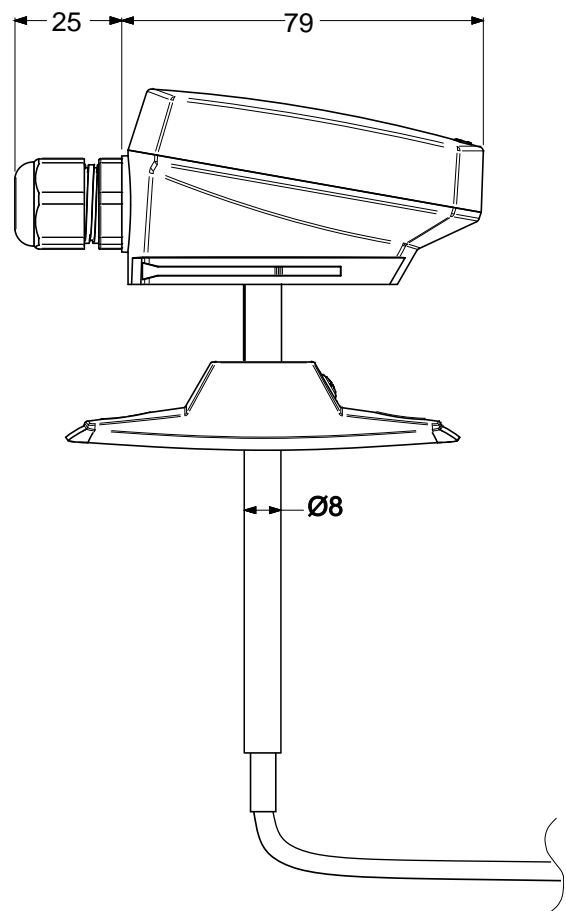
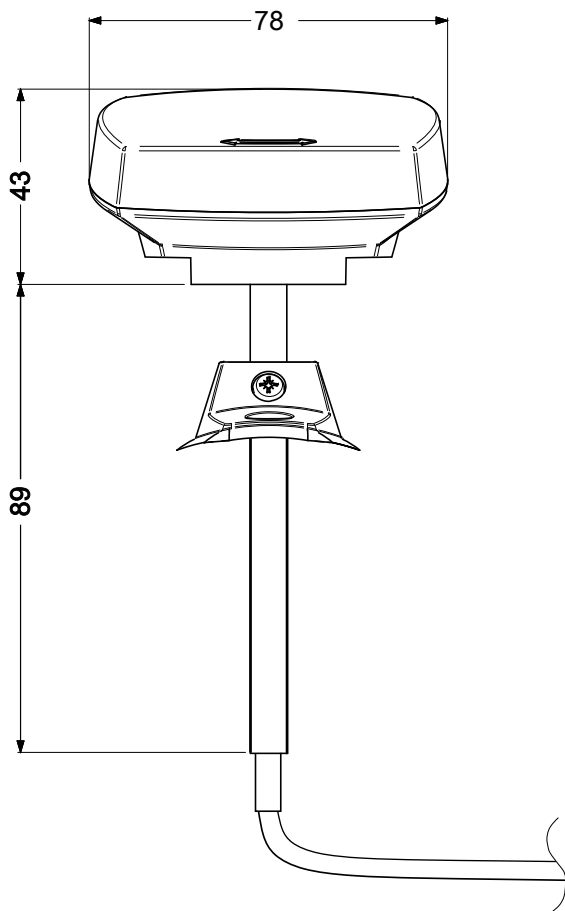
## Material

Material, housing	Polycarbonate (PC)
Material, base	Polycarbonate (PC)
Material, probe	Stainless steel, SUS304

## Models

Article	Sensor element	Nominal resistance	Equivalent
STM-PT1000-Y	PT1000	1000 $\Omega$ (0°C)	-

## Dimensions



[mm]

## Documentation

All documentation can be downloaded from [www.industrietechnik.it](http://www.industrietechnik.it).

MAIN OFFICE BRESSANONE

I-39042 Bressanone (BZ) tel: +39 0472 830626  
via Julius-Durst-Str. 50 fax: +39 0472 831840  
VAT No. IT02748450216 [www.industrietechnik.it](http://www.industrietechnik.it)

STM

3