

# SFC

## Liquid flow switch



*SFC is a compact electromechanical flowswitch family for use in heating and cooling systems.*

- Compact case
- Fits pipe sizes ranging from DN32 to DN200
- Contact rating 5 A, 250 VAC or 0.1 A, 30 VDC
- Protection class IP65
- Easy to install

### Function

The SFC range of flowswitch is intended for flow control of water or water with glycole. They have a built-in safety switch with an alarm signal for flow shortage signalling.

### Application

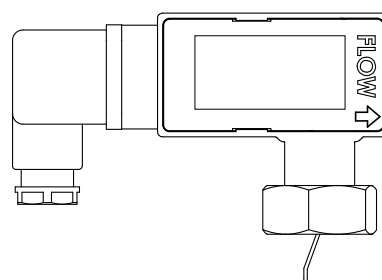
SFC is well-suited for pipes used in general industrial plants, such as:

- Heating and air conditioning systems
- Refrigeration systems
- Sprinkler or anti-fire systems
- Heat pumps

### Installation

The flowswitch must be installed in a horizontal position. It must be fitted far from any pipe elbows or choke points. If the paddle is located close to the bottom of the pipe, care

should be taken to ensure that the pipe is free from slag. The device should be mounted so that the arrows match the flow direction of the media inside the pipe (fig. 1).



**fig.1.**

If fitted for downward flow, SFC must be installed in a straight pipe, far from any filters or valves, etc. An unimpeded length of pipe at least 5 times the pipe diameter must be available both upstream and downstream of the unit. Note: If the flow switch is used as a minimum flow controller, it is necessary to add another device downstream of the first one for alarm condition activation.

#### MAIN OFFICE BRESSANONE

I-39042 Bressanone (BZ) tel: +39 0472 830626  
via Julius-Durst-Str. 50 fax: +39 0472 831840  
VAT No. IT02748450216 www.industrietechnik.it

SFC

1 (3)

## Technical data

Pressure	PN25
Contacts	Dust-tight microswitch with switching contacts (NC/NO)
Switch capacity	5 A, 250 V AC or 0.1 A, 30 V DC
Operating temperature	-20...+70 °C
Humidity	< 95% r.h.
Media temperature	-20...90°C
Paddles	Stainless steel, AISI 304
Plug connector	Complete connector (male + female) DIN 43650-A, ISO 4400, EN 175301-803 form A
Casing	ABS grade UL94 V-0
Body	Brass
Protection class	IP65
Dimensions (mm)	31 x 103.6 x 61.8

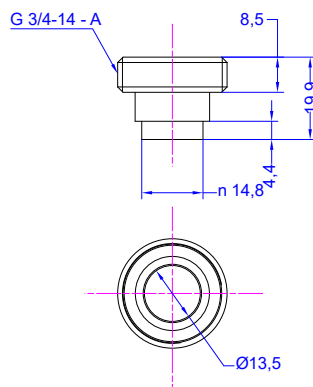


This product carries the CE-mark. More information is available at [www.industrietechnik.it](http://www.industrietechnik.it).

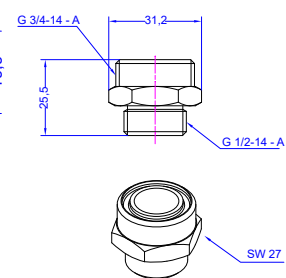
## Code selection table

SFC-	Contact rating	Pipe fitting
5 A, 250 V AC	H	
0.1 A, 30 V DC	L	
Nut, 3/4" female screwed		0
Nipple type "1" to soldering (fig. 2)		1
Nipple type "2" to screw in 1/2" female pipe access (fig. 3)		2
Tee fitting DN32 (1"1/4 female)		3
Tee fitting DN40 (1"1/2 female)		4
Tee fitting DN50 (2" female)		5

Nipple type "1" to soldering. fig.2.



Nipple type "2" to screw in 1/2" pipe access. fig.3.



## Liquid flow rate

Pipe DN	l/ min							
	Paddle 1		Paddle 1 & 2		Paddle 1,2 & 3		Paddle 1, 2, 3 & 4	
	increasing	decreasing	increasing	decreasing	increasing	decreasing	increasing	decreasing
32	26.8	20.1						
40	51.2	40.9	39.2	28.7				
50	108.3	69.6	71.7	53.2				
65	187.7	170.9	153.5	130.5	93.6	71.8		
80	272.9	253.9	233.4	206.4	153.8	121.0		
100	353.5	322.0	318.7	285.6	196.6	177.4	182.4	126.6
125	578.8	531.5	544.5	471.9	389.1	311.2	290.8	224.2
150	822.8	762.5	793.6	687.6	587.8	463.7	424.4	348.1
200	1439.8	1348.6	1433.8	1239.8	1109.6	860.0	766.9	675.1

MAIN OFFICE BRESSANONE

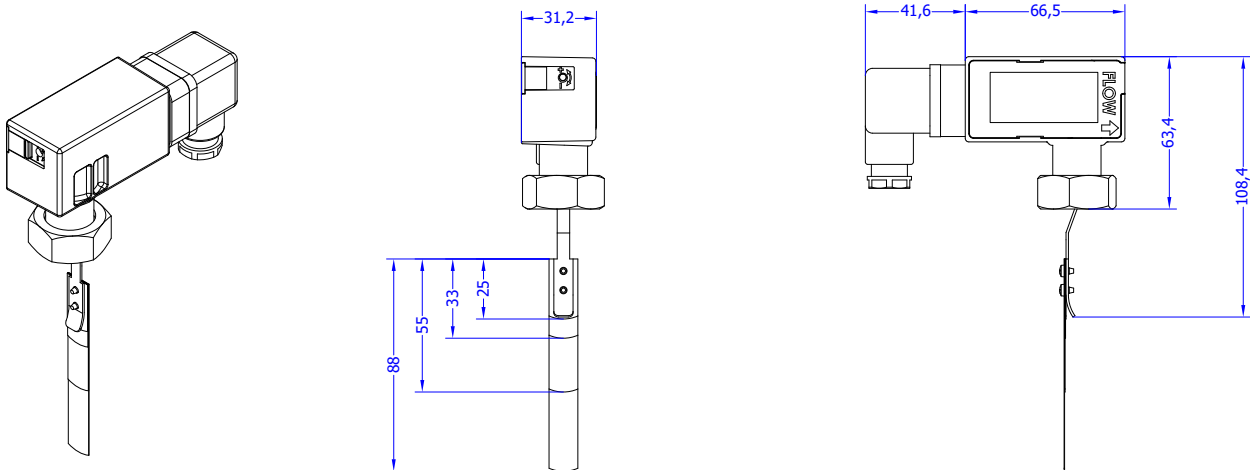
I-39042 Bressanone (BZ) tel: +39 0472 830626  
 via Julius-Durst-Str. 50 fax: +39 0472 831840  
 VAT No. IT02748450216 www.industrietechnik.it

SFC

2 (3)



## Dimensions

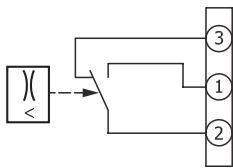


**fig.4.**

[mm], unless otherwise specified

## Wiring

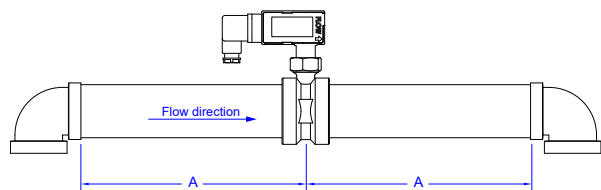
The microswitch contact "2" (common) and "1" (normally open). Open when the value drops below the set switch-off value. The contact "3" (normally closed) can be used as a signal contact (fig.5).



**fig.5.**

## Installation

Pipe length (A) must be more than five times of pipe diameter (fig. 6).



**fig.6.**

## Documentation

All documentation can be downloaded from [www.industrietechnik.it](http://www.industrietechnik.it).