



PC-H

Room humidity controller

Controller with a 0...10 V output signal for control of e.g. an EC fan or damper.

Combined sensor and controller

PC-H is a stand-alone unit containing both a humidity sensor and a controller. This enables you to save on component costs, resulting in a cheaper, easier installation.

Simple, easy handling

PC-H has a reversible output signal that permits control of either humidification or dehumidification. The control mode is changed simply by moving a jumper. The setpoint is easily set inside the casing by using a rotary switch.

Straightforward mounting

The unit is intended for mounting on a standard device box and powered by 230 V. No transformer is required.

Short facts about PC-H

- Humidity sensor and controller
- Settable for humidification or dehumidification
- Adjustable setpoint and P-band
- Discreet, stylish design suitable for all indoor environments

Technical data

Supply voltage	110...240 V AC, 50/60 Hz
Power consumption	Max. 0.46 W
Protection class	IP30
Ambient temperature	0...50°C
Ambient humidity	10...90 % RH (non-condensing)
Outputs	1 analogue output 0...10 V (RL > 10 K)
Dimensions (WxHxD)	85 x 100 x 30.5 mm
Mounting	Wall

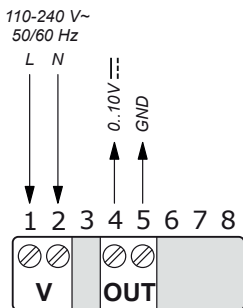


Low Voltage Directive (LVD) standards: This product conforms to the requirements of the European Low Voltage Directive (LVD) 2006/95/EC through product standards EN 60730-1.

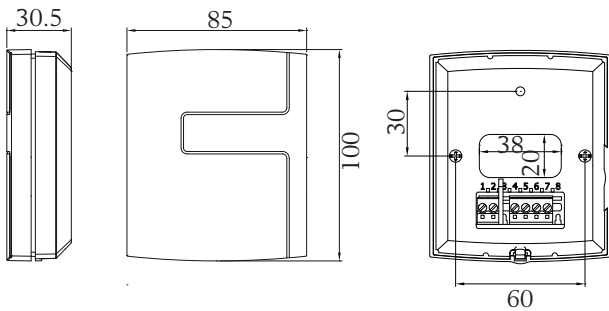
EMC emissions & immunity standards: This product conforms to the requirements of the EMC Directive 2004/108/EC through product standards EN 61000-6-1 and EN 61000-6-3.

RoHS: This product conforms to the Directive 2011/65/EU of the European Parliament and of the Council.

Wiring



Dimensions (mm)



AB Industrietechnik Srl

Via Julius Durst, 70 - 39042 Bressanone (BZ) - Italy

Tel. +39 0472/830626 - Fax +39 0472/831840

E-mail: info@industrietechnik.it

Homepage: www.industrietechnik.it