

Add:io

Additional I/O units



Additional I/O units for EXOcompact and EXOclever with up to 32 supplementary I/Os per Add:io. Possibility to expand an EXOclever controller with unlimited I/Os and an EXOcompact with up to 50 I/Os. The Add:io units fit smoothly together, requiring minimal space.

- ✓ Plug'n play with Regin's system solution
- ✓ Easy to increase the amount of I/Os
- ✓ Add I/Os next to the controller, or in another cabinet up to 300 m away
- ✓ Ideal to combine with other modules in the Add:io series

Application

The Add:io series is intended for use in combination with EXOclever and EXOcompact to expand the number of I/Os in a system. Each unit expands the system with up to 32 I/Os. An EXOclever controller can be expanded with unlimited I/Os or an EXOcompact with up to 50 I/Os.

The units are programmable in EXOdesigner, the same environment used for all other EXO controllers.

Function

The Add:io and the controller communicate via the EFX port. The units are connected with a cable allowing 300 meters communication distance. Some models are equipped with a 0(4)...20 mA input, especially adapted for the Water and Wastewater segment.

Status indication is shown by LEDs on the side of the unit which makes it easy to see if there is a connection problem, if data is being transferred.

Installation

The units fit smoothly together, requiring minimal space. They can be mounted in two ways, either on their backside or stacked on the short side with a high packing density as a result.

Each unit has a unique address which is easily set with DIP-switches.

Technical data

General data

Supply voltage	24 V AC 50...60 Hz or 24 V DC
Tolerance	18...26 V AC / 22...30 V DC
Power consumption, nominal	IO-EC16UID-X: 4.5 VA / 1.8 W IO-EC16UIC-X: 4.5 VA / 1.8 W IO-EC16UOB-X: 7.8 VA / 3.5 W IO-EC16DOE-X: 4.3 VA / 1.5 W IO-EC32DIB-X: 5.2 VA / 2.2 W IO-EC8UID8UOB-X: 5.7 VA / 2.5 W
Protection class	IP20
Ambient humidity	Max. 95 % RH
Ambient temp. (working)	0...55 °C
Storage temperature	-20...+70 °C
Mounting	DIN-rail
Number of modules	8
Inputs/Outputs	See data on the physical product.
Display	No
Status indication type	LED for communication information
I/O indication, front label	LED for indication; status DO/DI
Cable connection	Push-in connectors
Dimensions, external (WxHxD)	140 x 136 x 46 mm
Weight (incl. packaging)	0.30 kg

Serial port data

Port type	RS485
Default protocol	EFX
Supported protocols	EFX slave
Port isolation	Yes, 170 V
Communication speed	115200 bps
Cable length	max 300 m

I/O data

Universal input d (UID)	<p>AI:</p> <ul style="list-style-type: none"> ✓ 0(2)...10 V DC ✓ 0(4)...20 mA (Shunt 150Ω, overcurrent protected) ✓ 800...1600 Ω (Pt1000, Ni1000 LG, Ni1000 DIN) ✓ 0...4000 Ω (Pt1000 ext, Ni1000 LG ext, Ni1000 DIN ext) ✓ Tolerant against misconnection with 24V AC/DC <p>DI:</p> <ul style="list-style-type: none"> ✓ Sourcing input type, GND is ref ✓ Pulse counting (pulse width >4ms) ✓ Tolerant against misconnection with 24V AC/DC
Universal input c (UIC)	<p>AI:</p> <ul style="list-style-type: none"> ✓ 0(2)...10 V DC ✓ 800...1600 Ω (Pt1000, Ni1000 LG, Ni1000 DIN) ✓ 0...4000 Ω (Pt1000 ext, Ni1000 LG ext, Ni1000 DIN ext) ✓ Tolerant against misconnection with 24V AC/DC <p>DI:</p> <ul style="list-style-type: none"> ✓ Sourcing input type, GND is ref ✓ Pulse counting (pulse width >4ms) ✓ Tolerant against misconnection with 24V AC/DC
Universal output b (UOb)	<p>AO:</p> <ul style="list-style-type: none"> ✓ 0(2)...10 V DC, short-circuit protected (5 mA, short circuit protection) ✓ Tolerant against misconnection with 24V AC/DC <p>DO:</p> <ul style="list-style-type: none"> ✓ 24 V AC/DC sinking MOSFET, DC short-circuit protected (2 A, DC short circuit protected)
Digital output e (DOe)	<p>DO:</p> <ul style="list-style-type: none"> ✓ 24 V AC/DC sinking MOSFET, DC short-circuit protected (2 A, DC short circuit protected)
Digital input b (DIB)	<p>DI:</p> <ul style="list-style-type: none"> ✓ Sourcing input type, GND is ref ✓ Pulse counting (pulse width >4 ms) ✓ Tolerant against misconnection with 24V AC/DC

Material

Material, housing	Polycarbonate (PC)
--------------------------	--------------------



This product carries the CE-mark. More information is available at www.regincontrols.com.

Models

Article	Universal input c (UIC)	Universal input d (UID)	Universal output b (UOb)	Digital input b (DIB)	Digital output e (DOe)
IO-EC8UID8UOB-X	-	8	8	-	-
IO-EC16DOE-X	-	-	-	-	16
IO-EC16UIC-X	16	-	-	-	-
IO-EC16UID-X	-	16	-	-	-
IO-EC16UOB-X	-	-	16	-	-
IO-EC32DIB-X	-	-	-	32	-

HEAD OFFICE SWEDEN

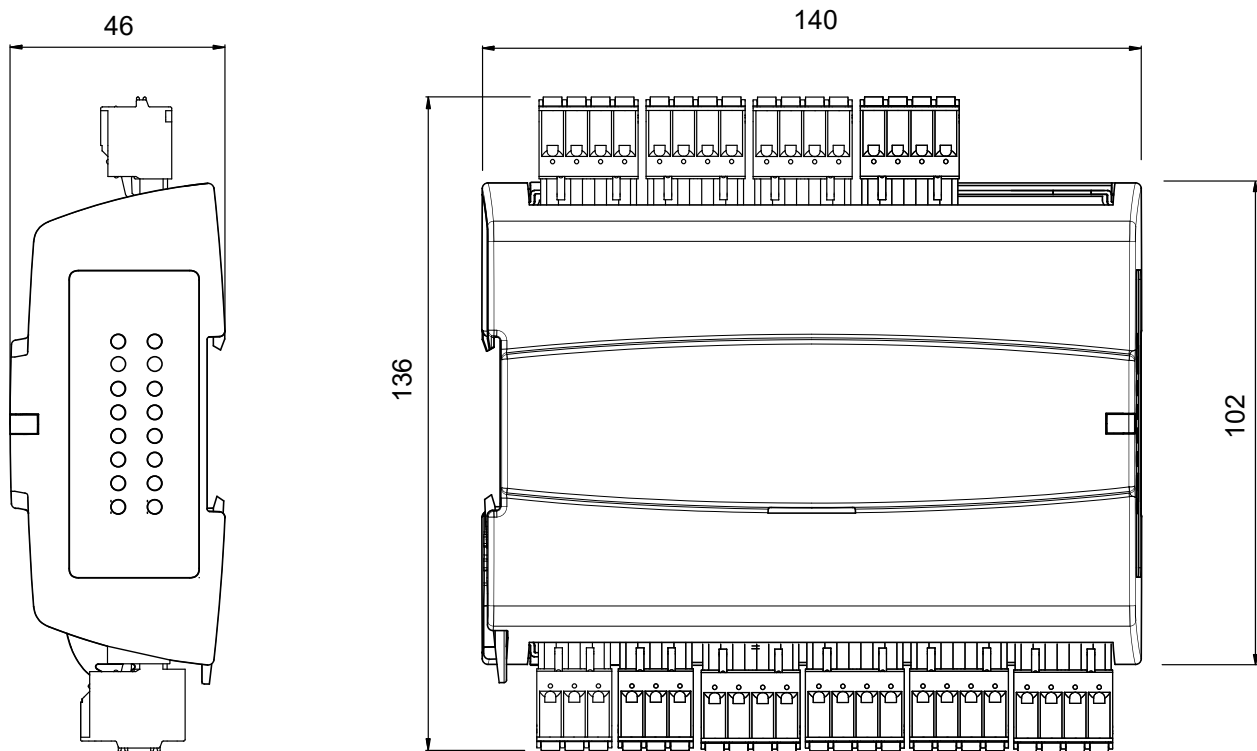
Phone: +46 31 720 02 00

Web: www.regincontrols.com

E-mail: info@regincontrols.com

Addio

Dimensions



[mm]

Documentation

All documentation can be downloaded from www.regincontrols.com.