



The FCV valves are designed for temperature control in heating and cooling systems. The valves are available as both 2- and 3-way models.

The FCV valves can only be used together with AB Industrietechnik's FCA actuators. Valves and actuators are ordered separately.

Function

On demand, the valve is opened by a signal from a thermostat (supply voltage on). When the temperature reaches the desired level, the spring return mechanism will force the valve back to closed position.

The sealing ball of the valve closes against the flow on the 2-way valves. In 3-way valves, the ball normally closes towards the coil side (see fig. 1 and fig. 2).

On the side of the actuator there is a device for manually opening the valve.

The actuator has a plastic casing.

Installation

To ensure tight closure of the 2-way valve and to prevent noise when closing, it is to be mounted on the return line of the coil with the inlet on port B.

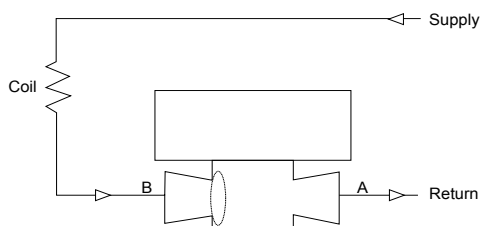


Fig. 1: 2-way valve

FCV

2- or 3-way valves

Intended for on/off control of hot or cold water in heating or cooling systems. The valves can only be used together with AB Industrietechnik's FCA actuators.

Short facts about FCV

- Tight closing
- Closing pressure up to 200 kPa

The 3-way valve is of diverting type and is to be mounted on the supply line at the diverting point with outlets both on port A and port B. The port B outlet should be mounted in the direction of the coil, since it is closed using the spring return of the actuator when not under power.

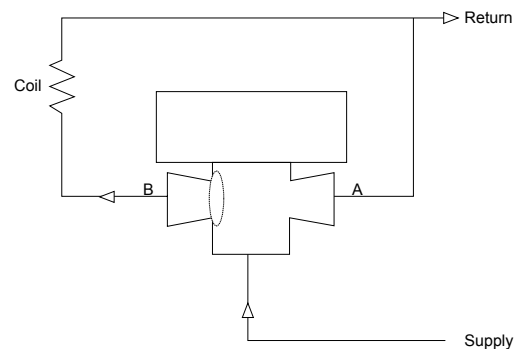
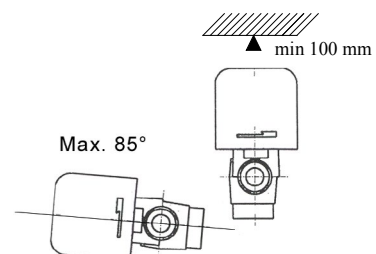


Fig. 2: 3-way valve

The valves should be mounted with the actuator in an upright or side position (see the picture below).



Models

2-way models	Connection	Kvs	Max. diff. pressure	Intended for actuator
FCV-215	DN15	3.2	200 kPa	FCA-2
FCV-220	DN20	4.6	150 kPa	FCA-2
FCV-225	DN25	5.7	100 kPa	FCA-2
FCV-232	DN32	10	80 kPa	FCA-2

3-way models	Connection	Kvs	Max. diff. pressure	Intended for actuator
FCV-315	DN15	3.2	150 kPa	FCA-3
FCV-320	DN20	4.6	100 kPa	FCA-3
FCV-325	DN25	5.7	100 kPa	FCA-3
FCV-332	DN32	8.4	80 kPa	FCA-3

Technical data

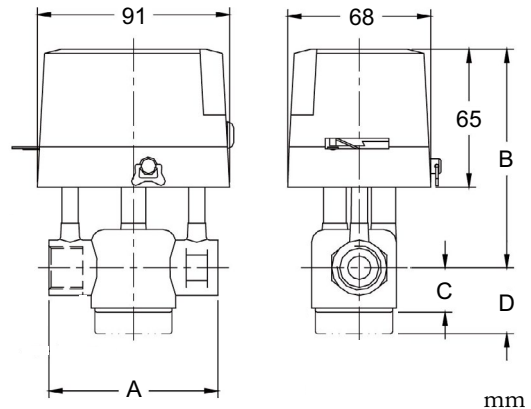
Fluid temperature	2...94°C
Media	Hot or cold water
Pressure class	PN16 (240 psi)
Connection	Female thread BSP according to ISO 228/1

Material

Valve body	Brass CW614N
Ball	NBR
O-rings	EPDM

Dimensions

Model (valve + actuator)	A	B	C	D
FCV-215 + FCA-2	80	103	21	-
FCV-315 + FCA-3	80	103	-	29
FCV-220 + FCA-2	89	103	21	-
FCV-320 + FCA-3	89	103	-	32
FCV-225 + FCA-2	93	103	23	-
FCV-325 + FCA-3	93	103	-	37
FCV-232 + FCA-2	105	110	30	-
FCV-332 + FCA-3	105	110	-	45



AB Industrietechnik Srl

Via Julius Durst, 70 - 39042 Bressanone (BZ) - Italy
 Tel. +39 0472/830626 - Fax +39 0472/831840
 www.industrietechnik.it - info@industrietechnik.it