



EP3016

16 DO Multifunction PIFA

PIFA with 16 DO of the type Standard 24 V DC DO, intended for mounting in an EXOflex house.

- 16 DO for start/stop, increase/decrease, pulse output, etc.

- 16 DO standard functions such as on-/off-delay, pulse-width modulation, frequency generation, interlocking and error function

EP3016 has 16 digital outputs of the type Standard 24V DC DO. It is intended for use in general control applications.

EXOflex

EXOflex is a general system for control, regulation, supervision and communication in general automation installations. The system offers great possibilities when constructing many different types of control and regulation systems: outstations in distributed systems, controllers in building automation systems, service gateways in LANs and on the Internet, etc.

The system is of a modular design and provides unique opportunities for adapting the number and type of inputs and outputs required, as well as the type of communication needed.

EXOflex consists of a housing and a selection of PIFA units. One power-PIFA must always be present in each house.

Installation

EP3016 can generally be mounted in any of the compartments in an EXOflex house. It is of a standard design and size and can quickly and simply be slotted into place.

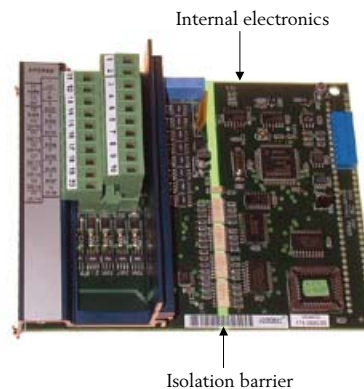


All electrical connections to external equipment are easily attainable on plug-in screw connectors.

For more information on how to install PIFA:s, see the instruction for EH11-S...41-S / EH10-S...40-S / ECX2.

EP3016 handles difficult electrical environments

The process connections are, as a group, galvanically insulated from each other and from the internal control logic circuits by a protective barrier, which is bridged by optocouplers. If necessary, the isolation from other circuits can be retained by using a separate power supply. Each process connection has active transient protection, which is led to a special EMI ground (disturbance protection ground) or to protective ground. This provides for optimal handling of difficult electrical environments.



The principles of the isolation barrier

Prepared for redundant power supply

The parts of the PIFA closest to the process get their power from an external source, which is normally the same as the source supplying the whole EXOflex-unit with power. To handle power outage situations, it could also be power supplied from an alternative source, e. g. 9035 with external battery. See the product sheets for EP1011 and 9035.

Connections

- **Power supply**

The EMI earth must be connected to the earth rail or equivalent, to prevent disturbances.

The 0 V connection must also be grounded. This is normally done at the power unit's negative pole.

- **Standard 24 V DC DO**

This type of current source output is mainly constructed for use with DC-relays, lamps etc.

The outputs' driving stage is powered from the external supply.

Each output is current limited, short circuit protected and has overheat protection. Apart from the current limiting for each individual output, there is also total limiting for all of the outputs together.

A yellow LED for each output shows its status.

Process Connections

An external load is connected between the output and -C.

Technical data

Supply voltage	24 V DC
tolerance	18...30 V DC
electronically fused	to 4.0 A
power consumption with no load	50 mA
Internal power consumption	5 V, 70 mA
CE	This product conforms with the requirements of European EMC standards CENELEC EN 61000-6-1 and EN 61000-6-3 and carries the CE-mark.

Digital outputs

Number of outputs	16
Maximum total continuous load on all outputs	3.5 A
Type	current source
Current is fed from the PIFA-unit's power supply connection	
Output voltage at logical zero	max 2 V/12 uA
Output current at +24 V (source)	
max continuous load per output	min 400 mA
max continuous load per output at max. 30°C run temp	min 500 mA
max transient load (20 ms)	min 1 A

Connections

Pin no	Signal	Function
1	-C	0 V. Reference for digital outputs DO.
2	EMI ground	This terminal is connected internally to the PIFA's frame and to internal protective circuits. It should be connected to the ground rail with a separate, heavy wire.
3	DO1	Digital output 1, type Standard 24 V DC
4	DO2	Digital output 2, type Standard 24 V DC
5	DO3	Digital output 3, type Standard 24 V DC
6	DO4	Digital output 4, type Standard 24 V DC
7	DO5	Digital output 5, type Standard 24 V DC
8	DO6	Digital output 6, type Standard 24 V DC
9	DO7	Digital output 7, type Standard 24 V DC
10	DO8	Digital output 8, type Standard 24 V DC
11	+24 V	Power supply +24 V DC.
12	0 V	Power supply 0 V. The 0 V-connection is normally grounded at the supply source, so as to define the potential to earth reference and to compensate for disturbances and transients from I/O signals.
13	DO9	Digital output 9, type Standard 24 V DC
14	DO10	Digital output 10, type Standard 24 V DC
15	DO11	Digital output 11, type Standard 24 V DC
16	DO12	Digital output 12, type Standard 24 V DC
17	DO13	Digital output 13, type Standard 24 V DC
18	DO14	Digital output 14, type Standard 24 V DC
19	DO15	Digital output 15, type Standard 24 V DC
20	DO16	Digital output 16, type Standard 24 V DC

Product documentation

Document	Type
EH11-S...41-S / EH10-S...40-S / ECX2	Instruction for EXOflex houses and the EXOflex processor ECX2
EXO System Manual	Manual covering the EXO System

Head Office Sweden

Phone: +46 31 720 02 00
 Web: www.regin.se
 Mail: info@regin.se

Sales Offices

France: +33 14 171 46 46
 Hong Kong: +852 24 07 02 81
 Singapore: +65 67 47 82 33
 Germany: +49 30 77 99 40



THE CHALLENGER IN BUILDING AUTOMATION