



ONE STAGE ROOM THERMOSTATS FOR FAN COIL WITH ECONOMY FUNCTION

DB-TA-3F3..A

FUNCTION

Temperature control for typically 2-pipe fan coil systems with one stage.

- 1 relay output;
- manual selection of On/Off, 3 fan speed (depending on model);
- internal or remote temperature sensor (optional).

The thermostat is provided with a LCD display and keys +/- for parameters setting like the range, the differential in the stage, the mode of operating. In normal condition of use the temperature is visualized with a step of 0.1 °C. The voltage free On/Off switch connected together with the 3 fan speeds switch allow to power on and off the fan. On request it is possible to have a version with economy function by a remote contact. When the contact is closed the thermostat works with an economy mode.

TYPE	ON/OFF	3-SPEED	DIFFERENTIAL K
DB-TA-3F3-13A	•	•	0.5...4
DB-TA-3F3-19A	•		0.5...4
DB-TA-3F3-93A		•	0.5...4
DB-TA-3F3-99A			0.5...4

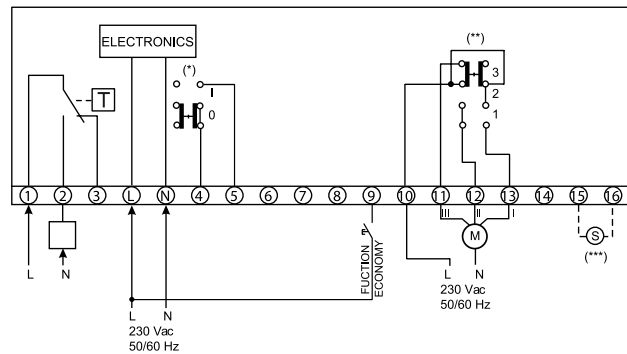
On request:

optional remote 2 m cable sensor, selectable by jumper; ordering code: NT0220-NTC10-02.

TECHNICAL DATA

Power supply: 230 Vac ± 10 %, 50/60 Hz
Input: ext. contact for economy function
Outputs: valves: 1 relay SPDT 6 A 230 Vac
 speed: 6 A 230 Vac, 50/60 Hz
Power cons.: 1 W
Sensor: NTC 10K
Setpoint: +5...+30 °C
Differential in stage: 0.5...4 K
Economy: adjustable range between +5...+30°C (replaced the working setpoint)
Display: resolution 0.1 °C
Working: 0...+40 °C
 10...90% r.h. (without condensing)
Storage: -20...+70 °C
 < 95% r.h.
Housing: ABS fireproof according to UL94 V-0 color (RAL 9010)
Protection class: IP30, class II
Size: 144 x 82 x 34 mm
Weight: 220 g

WIRING DIAGRAM



- (*) only for models DB-TA-3F3-13A, DB-TA-3F3-19A
- (**) only for models DB-TA-3F3-13A, DB-TA-3F3-93A
- (***) remote sensor (optional)

Logic of relay outputs

