



ONE STAGE ROOM THERMOSTATS FOR FAN COIL WITH ECONOMY FUNCTION

DB-TA-3E3..A

FUNCTION

Temperature control for typically 2-pipe fan coil systems with one stage.

- 1 cooling relay output;
- manual selection of On/Off, 3 fan speed (depending on model);
- internal or remote temperature sensor (optional).

The thermostat is provided with a LCD display and keys +/- for parameters setting like the range, the differential in the stage, the mode of operating. In normal condition of use the temperature is visualized with a step of 0.1°C. The voltage free On/Off switch connected together with the 3 fan speeds switch allows to power on and off the fan. On request it is possible to have a version with economy function by a remote contact. When the contact is closed the thermostat works with an economy mode.

TYPE	ON/OFF	3-SPEED	DIFFERENTIAL K
DB-TA-3E3-13A	•	•	0.5...4
DB-TA-3E3-19A	•		0.5...4

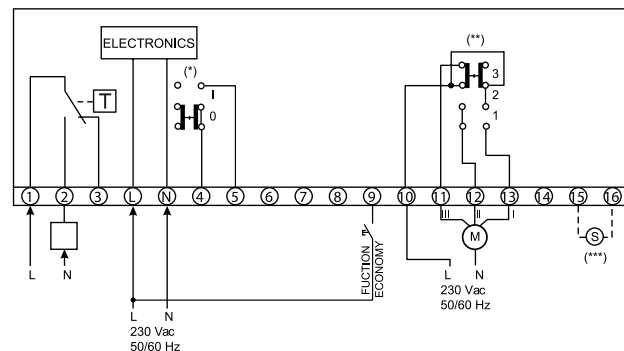
On request:

optional remote 2 m cable sensor, selectable by jumper; ordering code: NT0220-NTC10-02.

TECHNICAL DATA

Power supply:	230 Vac \pm 10 %, 50/60 Hz
Input:	ext. contact for economy function
Outputs:	valves: 1 relay SPDT 6 A 230 Vac speed: 6 A 230 Vac, 50/60 Hz
Power cons.:	1 W
Sensor:	NTC 10K
Setpoint:	+5...+30 °C
Differential in stage:	0.5...4 K
Economy:	adjustable range between +5...+30°C (replaced the working setpoint)
Display:	resolution 0.1 °C
Working:	0...+40 °C 10...90% r.h. (without condensing)
Storage:	-20...+70 °C < 95% r.h.
Housing:	ABS fireproof according to UL94 V-0 color (RAL 9010)
Protection class:	IP30, class II
Size:	144 x 82 x 34 mm
Weight:	220 g

WIRING DIAGRAM



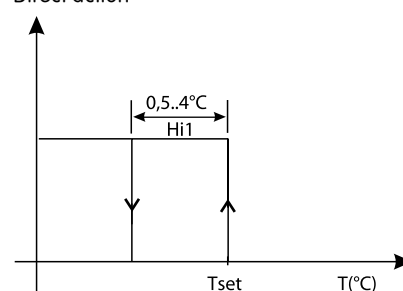
(*) only for models DB-TA-3E3-13A, DB-TA-3E3-199A

(**) only for model DB-TA-3E3-13A

(***) remote sensor (optional)

Logic of relay outputs

Direct action



Hi1 differential

