



ROOM THERMOSTATS FOR FAN COIL WITH ONE 0-10 OUTPUT FOR 2-PIPE SYSTEM AND RELAY OUTPUT

DB-TA-3B8

FUNCTION

Temperature control in heating, ventilation, refrigeration and air conditioning for typically 2-pipe fan coil systems with proportional valve.

- 1 relay output
- 1 proportional output 0...10 Vdc
- manual selection of On/Off, 3 fan speed

The thermostat is provided with a LCD display and keys +/- for parameters setting like the range, the type of action (direct or

reverse), proportional band. When the thermostat is on the fan is on at the speed selected manually and the proportional output is set according to parameters setting.

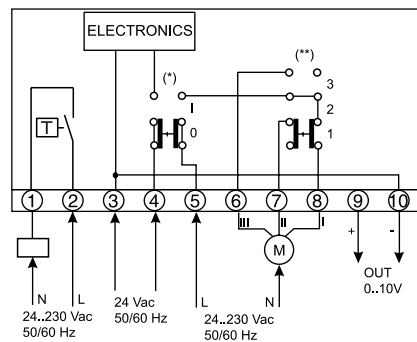
Reverse action: the relay is activated when the maximum voltage output has been reached but not the required temperature. Direct action: the relay is activated when the maximum voltage output has been reached but not the required temperature.

TYPE	ON/OFF	3-SPEED	S/W
DB-TA-3B8-130	•	•	local
DB-TA-3B8-100	•		local

TECHNICAL DATA

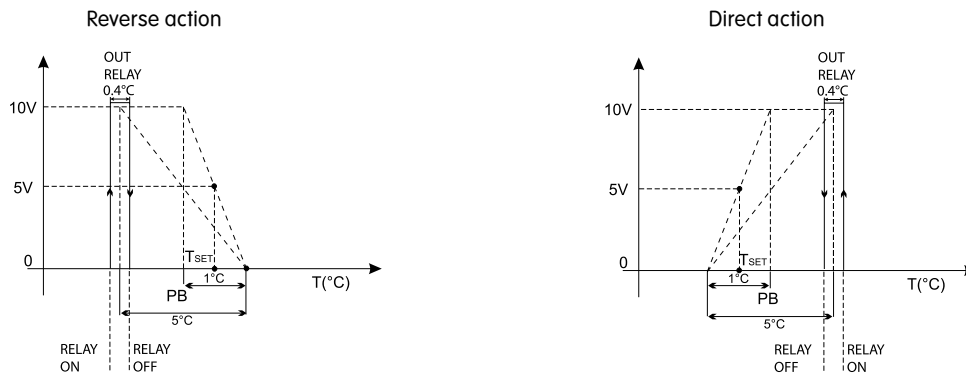
Power supply: 24 Vac \pm 10%, 50/60 Hz
Outputs: valves: 1 0-10 V outputs ($R_L > 10$ kOhm)
 1 relay 6 A 230 Vac
 speeds: 6 A 24/230 Vac, 50/60 Hz
Power cons.: 1 W
Sensor: NTC 10K
Setpoint: +5...+30 °C
Differential: 0.4 K (relay)
Prop. band: $\pm 0,5... \pm 2,5$ K
Display: resolution 0.1 °C
Working: 0...+40 °C
 10...90% r.h. (without condensing)
Storage: -20...+70 °C
 < 95 % r.h.
Housing: ABS fireproof according to UL94 V-0 color (RAL 9010)
Protection class: IP30, class II
Size: 144 x 82 x 34 mm
Weight: 220 g

WIRING DIAGRAM



(*) only for models DB-TA-3B8-130, DB-TA-3B8-100
 (**) only for model DB-TA-3B8-130

Logic of proportional output and operating relay



PB proportional band

