



ROOM THERMOSTATS FOR FAN COIL WITH ONE 0-10 V OUTPUT FOR 2-PIPE SYSTEM

DB-TA-3B5

FUNCTION

Temperature control in heating, ventilation, refrigeration and air conditioning for typically 2-pipe fan coil systems with proportional valve.

- 1 proportional output 0...10 Vdc
- manual selection of On/Off, 3 fan speeds

The thermostat is provided with a LCD display and keys +/- for parameters setting like the range, the type of action (direct or

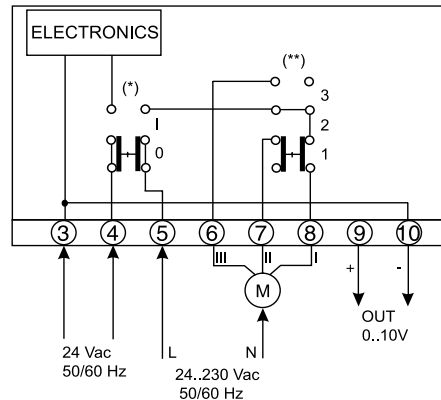
reverse) and proportional band. In normal condition of use the temperature is visualized with a step of 0.1 °C. When the thermostat is off, the fan is off, the proportional output is set to 0 Vdc. When the thermostat is on the fan is on at the speed selected manually by the switch and the proportional output is set according to parameters setting.

TYPE	ON/OFF	3-SPEED	S/W
DB-TA-3B5-130	•	•	local
DB-TA-3B5-100	•		local
DB-TA-3B5-000			local

TECHNICAL DATA

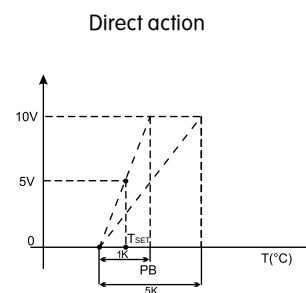
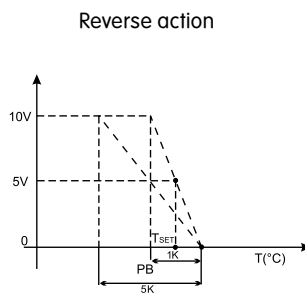
Power supply: 24 Vac \pm 10%, 50/60 Hz
Outputs: valves: 1 0-10 V outputs ($R_i > 10$ kOhm)
 speeds: 6 A 24/230 Vac, 50/60 Hz
Power cons.: 1 W
Sensor: NTC 10K
Setpoint: +5...+30 °C
Prop. band: $\pm 0,5... \pm 2,5$ K
Display: resolution 0.1 °C
Working: 0...+40 °C
 10...90% r.h. (without condensing)
Storage: -20...+70 °C
 < 95 % r.h.
Housing: ABS fireproof according to UL94 V-0 color (RAL 9010)
Protection class: IP30, class II
Size: 144 x 82 x 34 mm
Weight: 220 g

WIRING DIAGRAM



(*) only for models DB-TA-3B5-130, DB-TA-3B5-100
 (**) only for model DB-TA-3B5-130

Logic of proportional output



PB proportional band

