



ROOM THERMOSTATS FOR FAN COIL WITH TWO 0-10 V OUTPUTS FOR 4-PIPE SYSTEM AND HEATING RELAY OUTPUT

DB-TA-3A8

FUNCTION

Temperature control in heating, ventilation, refrigeration and air conditioning for typically 4-pipe fan coil systems with proportional valves.

- 1 heating relay output
- 2 proportional outputs 0...10 Vdc with dead zone
- manual selection of On/Off, 3 fan speeds

The thermostat is provided with a LCD display and keys +/- for parameter setting like the range, the neutral zone, proportional

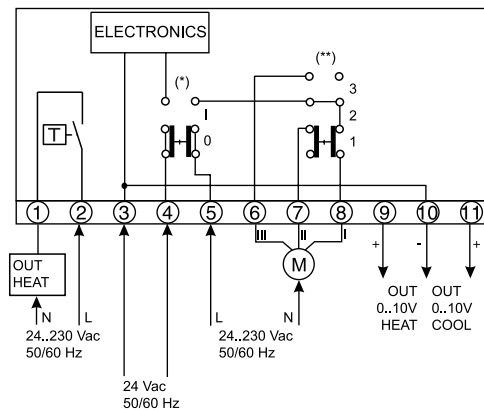
heating and cooling bands. In normal condition of use the temperature is visualized with a step of 0.1 °C. When the thermostat is off, the fan is off, the proportional outputs are set to 0 Vdc and the relay is off. When the thermostat is on the fan is on at the speed selected manually and the proportional outputs are set according to parameter setting. The relay is activated if heating function is required when the maximum heating voltage output has been reached but not the temperature required.

TYPE	ON/OFF	3-SPEED	DEAD ZONE K
DB-TA-3A8-130	•	•	1...4
DB-TA-3A8-100	•		1...4
DB-TA-3A8-000			1...4

TECHNICAL DATA

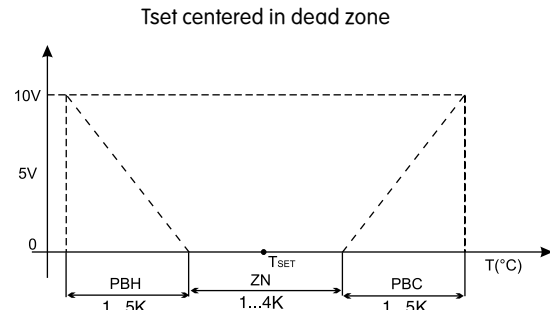
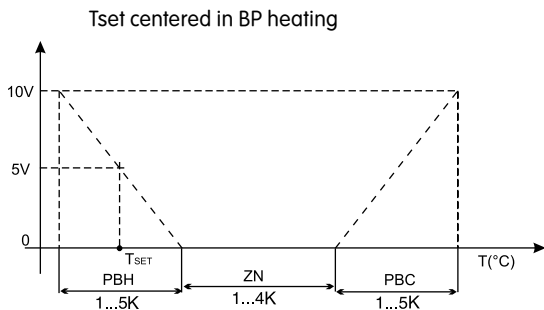
- Power supply:** 24 Vac ± 10%, 50/60 Hz
Outputs: valves: 2 0-10 V outputs ($R_L > 10 \text{ k}\Omega$)
 1 relay output 6 A 230 Vac
 speeds: 6 A 24/230 Vac, 50/60 Hz
Power cons.: 1 W
Sensor: NTC 10K
Setpoint: +5...+30 °C
Differential: 0.4 K (relay)
Prop. band: ± 0,5...± 2,5 K
Display: resolution 0.1 °C
Working: 0...+40 °C
 10...90% r.h. (without condensing)
Storage: -20...+70 °C
 < 95 % r.h.
Housing: ABS fireproof according to UL94 V-0 color (RAL 9010)
Protection class: IP30, class II
Size: 144 x 82 x 34 mm
Weight: 220 g

WIRING DIAGRAM

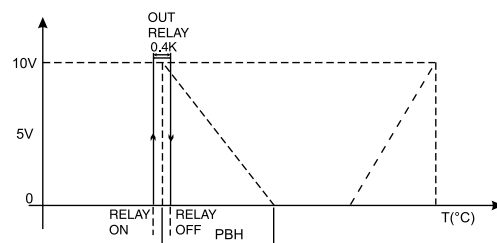


- (*) only for models DB-TA-3A8-130, DB-TA-3A8-100
 (**) only for model DB-TA-3A8-130

Logic of proportional outputs



Logic of operating relay



- ZN** neutral zone
PBH proportional heating band
PBC proportional cooling band

