



ROOM THERMOSTATS FOR FAN COIL WITH TWO 0-10 V OUTPUTS FOR 4-PIPE SYSTEM AND HEATING RELAY OUTPUT WITH ECONOMY FUNCTION

DB-TA-3A8..A

FUNCTION

Temperature control in heating, ventilation, refrigeration and air conditioning for typically 4-pipe fan coil systems with proportional valves.

- 1 heating relay output
- 2 proportional outputs 0...10 Vdc with dead zone
- manual selection of On/Off, 3 fan speeds
- economy function

The thermostat is provided with a LCD display and keys +/- for parameters setting like the range, the neutral zone, proportional

heating and cooling bands and economy mode. When the thermostat is on the fan is on at the speed selected manually and the proportional outputs are set according to parameters setting. The relay is activated if heating function is required when the maximum heating voltage output has been reached but not the temperature required.

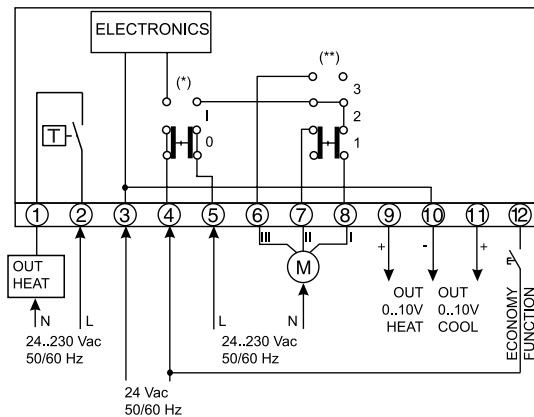
In addition an economy function is available with a remote contact. When the contact is closed the thermostat works with an economy mode.

| TYPE | ON/OFF | 3-SPEED | DEAD ZONE K |
|---------------|--------|---------|-------------|
| DB-TA-3A8-13A | • | • | 1...4 |
| DB-TA-3A8-10A | • | | 1...4 |
| DB-TA-3A8-00A | | | 1...4 |

TECHNICAL DATA

- Power supply:** 24 Vac \pm 10%, 50/60 Hz
Input: external contact for economy function
Outputs: valves: 2 0-10 V outputs ($R_L > 10$ kOhm)
 1 relay 6 A 230 Vac
 speeds: 6 A 24/230 Vac \pm 10%, 50/60 Hz
Power cons.: 1 W
Sensor: NTC 10K
Setpoint: +5...+30 °C
Differential: 0.4 K (relay)
Prop. band: \pm 0,5... \pm 2,5 K
Economy: adjustable range between 0...+5 °C
Display: resolution 0.1 °C
Working: 0...+40 °C
 10...90% r.h. (without condensing)
Storage: -20...+70 °C
 < 95 % r.h.
Housing: ABS fireproof according to UL94 V-0 color (RAL 9010)
Protection class: IP30, class II
Size: 144 x 82 x 34 mm
Weight: 220 g

WIRING DIAGRAM

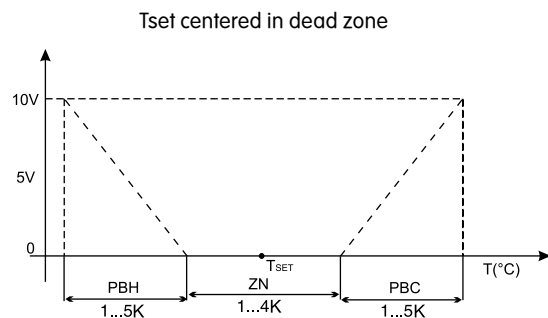
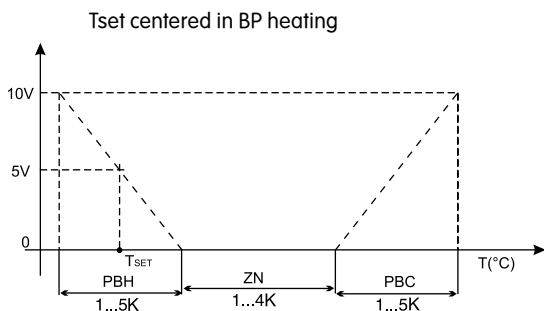


ECONOMY FUNCTION contact closed: economy function selected
 ECONOMY FUNCTION contact open: economy function not selected

(*) only for models DB-TA-3A8-13A, DB-TA-3A8-10A

(**) only for model DB-TA-3A8-13A

Logic of proportional outputs



Logica del relè operativo

- ZN** neutral zone
- PBH** proportional heating band
- PBC** proportional cooling band

