



ROOM THERMOSTATS FOR FAN COIL WITH TWO 0-10 V OUTPUTS FOR 4-PIPE SYSTEM

DB-TA-3A5

FUNCTION

Temperature control in heating, ventilation, refrigeration and air conditioning for typically 4-pipe fan coil systems with proportional valves.

- 2 proportional outputs 0...10 Vdc
- manual selection of On/Off, 3 fan speeds

The thermostat is provided with a LCD display and keys +/- for parameters setting like the range, the neutral zone, proportional

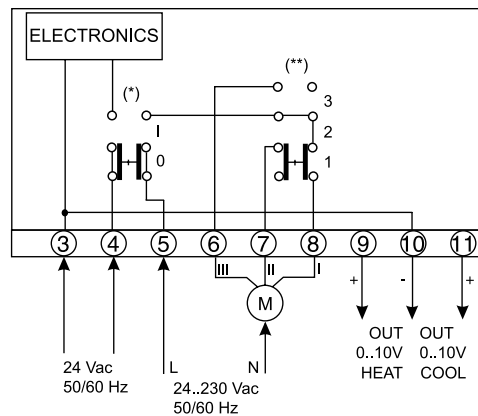
heating and cooling bands. In normal condition of use the temperature is visualized with a step of 0.1 °C. When the thermostat is off, the fan is off, the proportional outputs are set to 0 Vdc. When the thermostat is on the fan is on at the speed selected manually and the proportional outputs are set according to parameters setting.

TYPE	ON/OFF	3-SPEED	DEAD ZONE K
DB-TA-3A5-130	•	•	1...4
DB-TA-3A5-100	•		1...4
DB-TA-3A5-000			1...4

TECHNICAL DATA

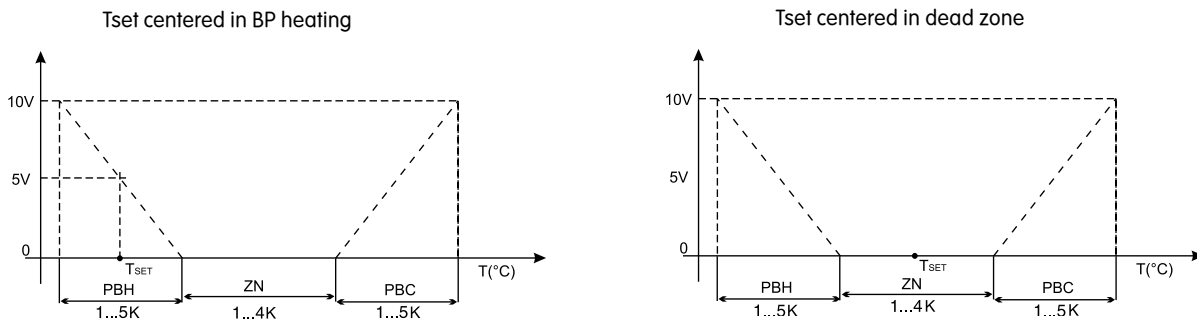
- Power supply:** 24 Vac ± 10%, 50/60 Hz
Outputs: valves: 2 0-10 V outputs ($R_L > 10$ kOhm)
 speeds: 6 A 24/230 Vac, 50/60 Hz
Power cons.: 1 W
Sensor: NTC 10K
Setpoint: +5...+30 °C
Prop. band: ± 0.5...± 2.5 K
Display: resolution 0.1 °C
Working: 0...+40 °C
 10...90% r.h. (without condensing)
Storage: -20...+70 °C
 < 95 % r.h.
Housing: ABS fireproof according to UL94 V-0 color (RAL 9010)
Protection class: IP30, class II
Size: 144 x 82 x 34 mm
Weight: 220 g

WIRING DIAGRAM



- (*) only for models DB-TA-3A5-130, DB-TA-3A5-100
 (**) only for model DB-TA-3A5-130

Logic of proportional output



- ZN** neutral zone
PBH proportional heating band
PBC proportional cooling band

