



# ROOM THERMOSTATS FOR FAN COIL WITH TWO 0-10 V OUTPUTS FOR 4-PIPE SYSTEM WITH ECONOMY FUNCTION

**DB-TA-3A5..A**

## FUNCTION

Temperature control in heating, ventilation, refrigeration and air conditioning for typically 4-pipe fan-coil systems with proportional valves.

- 2 proportional outputs 0...10 Vdc with dead zone
- manual selection of On/Off, 3 fan speeds
- economy function

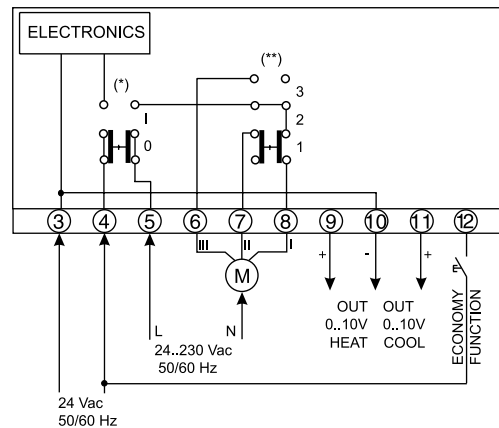
The thermostat is provided with a LCD display and keys +/- for parameters setting like the range, the neutral zone, proportional heating and cooling bands, economy mode. When the thermostat is on the fan is on at the speed selected manually and the proportional outputs are set according to parameters setting. In addition an economy function is available with a remote contact. When the contact is closed the thermostat works with an economy mode.

TYPE	ON/OFF	3-SPEED	DEAD ZONE K
DB-TA-3A5-13A	•	•	1...4
DB-TA-3A5-10A	•		1...4
DB-TA-3A5-00A			1...4

## TECHNICAL DATA

- Power supply:** 24 Vac  $\pm$  10%, 50-60 Hz
- Input:** external contact for economy function
- Outputs:** valves: 2 0-10 V outputs ( $R_i > 10$  kOhm)  
speeds: 6 A 24/230 Vac, 50/60 Hz
- Power cons.:** 1 W
- Sensor:** NTC 10K
- Setpoint:** +5...+30 °C
- Prop. band:**  $\pm 0,5... \pm 2,5$  K
- Economy:** adjustable range between 0...+5 °C
- Display:** resolution 0.1°C
- Working:** 0...+40 °C  
10...90% r.h. (without condensing)
- Storage:** -20...+70 °C  
< 95 % r.h.
- Housing:** ABS fireproof according to UL94 V-0 color (RAL 9010)
- Protection class.:** IP30, class II
- Size:** 144 x 82 x 34 mm
- Weight:** 220 g

## WIRING DIAGRAM



ECONOMY FUNCTION contact closed: economy function selected  
ECONOMY FUNCTION contact open: economy function not selected

(\*) only for models DB-TA-3A5-13A, DB-TA-3A5-10A

(\*\*) only for model DB-TA-3A5-13A

## Logic of proportional output

