



ROOM CONTROLLERS FOR 4-PIPE SYSTEM WITH ECONOMY FUNCTION DB-TA-3A3..A

FUNCTION

4-pipe fan coil control for room temperature applications with:

- 2 relays outputs with dead zone (dEZ);
- manual selection of On/Off, 3 fan speeds (depending on model);
- internal or remote temperature sensor (optional).
- economy function

The thermostat is provided with a LCD display and keys +/- for parameters setting like the range, the neutral zone, differential

for heating and cooling stages, the position of setpoint in the neutral zone and economy mode state. In normal condition of use the temperature is visualized with a step of 0.1 °C. The voltage free On/Off switch connected together with the 3 fan speeds switch allow to power on and off the fan. In addition activation by parameter of economy function is available directly on the unit or remotely by an external contact.

TYPE	ON/OFF	3-SPEED	W/S
DB-TA-3A3-13A	•	•	ZN
DB-TA-3A3-19A	•		ZN
DB-TA-3A3-93A		•	ZN
DB-TA-3A3-99A			ZN

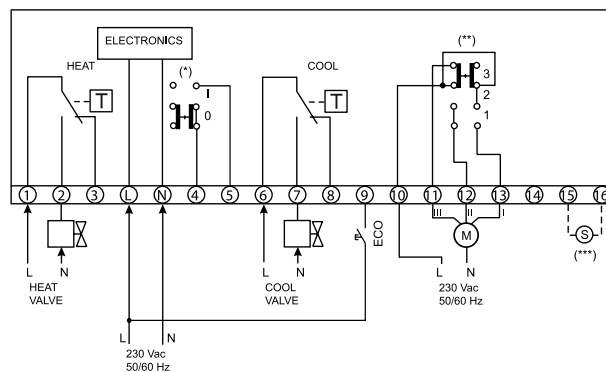
On request:

optional remote 2 m cable sensor, selectable by jumper; ordering code: NT0220-NTC10-02.

TECHNICAL DATA

Power supply:	230 Vac \pm 10 %, 50/60 Hz
Input:	ext. contact for economy function
Outputs:	valves: 2 relays SPDT 6 A 230 Vac speeds: 6A 230 Vac, 50/60 Hz
Power cons.:	1 W
Sensor:	NTC 10K
Setpoint:	+5...+30 °C
Differential:	0.5...4 K
Dead zone:	1...4 K
Economy:	adjustable range between 0...+5 °C
Display:	resolution 0.1 °C
Working:	0...+40 °C
Storage:	10...90% r.h. (without condensing) -20...+70 °C < 95 % r.h.
Housing:	ABS fireproof according to UL94 V-0 color (RAL 9010)
Protection class:	IP30, class II
Size:	144 x 82 x 34 mm
Weight:	220 g

WIRING DIAGRAM



- (*) only for models DB-TA-3A3-13A, DB-TA-3A3-19A
- (**) only for models DB-TA-3A3-13A, DB-TA-3A3-93A
- (***) remote sensor (optional)
- (ECO) economy function

Logic of relay outputs

