



DIGITAL CONTROLLERS WITH RELAYS

DB-R/1

FUNCTION

Control of 1 or 2 independent physical quantities with:

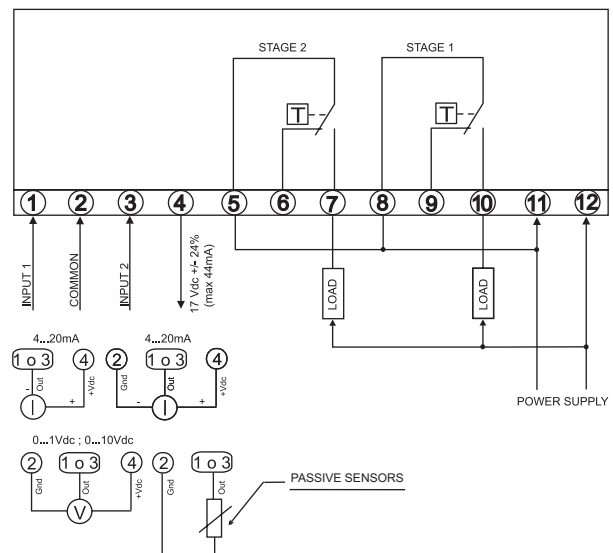
- 2 relay outputs;
- 1 output for power supply of active transducer (17 Vdc, max 44 mA);
- 3 digit display;

- red LED, output state indicator;
- push buttons for parameters setting;
- optical alarms;
- password and two access levels.

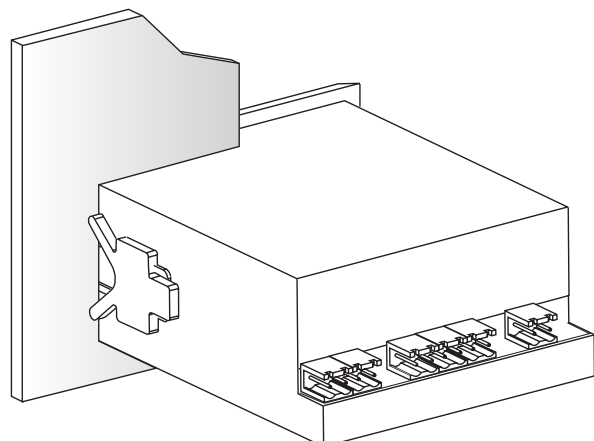
TECHNICAL DATA

Power supply:	see schedule on the following page
Input:	see schedule on the following page
Outputs:	2 SPDT relays 8 A 230Vac
Power cons.:	< 3 W
Range:	see schedule on the following page
Working:	0...+45 °C 10...90% r.h. (without condensing)
Storage:	-20...+70 °C <95% r.h.
Connections:	screw terminal block for cables up to 2.5 mm ²
Housing:	ABS fireproof plastic according to UL94 V-0
Protection:	IP52 (only front plate), class II
Size:	96 x 48 x 122 mm mounting hole: 92 x 45 mm
Weight:	400 g

WIRING DIAGRAM



MOUNTING



PART NUMBER SELECTION

	Input 1			Input 2				
DB-R	X	X	XX	X	X	XX	X	1
INPUT 1								
NTC10-02	1	1	07 ⁽¹⁾					
PT1000	2	1	08 ⁽¹⁾					
PTC 2K	3	1	09 ⁽¹⁾					
NI1000-02	4	1	10 ⁽¹⁾					
0...1000 Ohm	5	2	06 ⁽¹⁾					
0...1 Vdc (**)	6							
0...10 Vdc (**)	7							
0...20 mA (**) (R _n = 100 Ohm)	8							
4...20 mA (**) (R _n = 100 Ohm)	9							
UNIT 1								
°C		1						
% r.h.		2						
bar		3						
mbar		4						
Pa		5						
m/s		6						
ppm		7						
without unit		8						
RANGE 1								
0...+50 °C			01					
-30...+50 °C			02					
-10...+40 °C			03					
0...+100 °C			04					
-20...+80 °C			05					
0...+100% r.h.			06					
-50...+110 °C			07					
-60...+600 °C			08					
-50...+150 °C			09					
-60...+200 °C			10					
Range on request (*)			99					
INPUT 2								
None				0	0	00		
NTC10-02				1	1	07 ⁽¹⁾		
PT1000				2	1	08 ⁽¹⁾		
PTC 2K				3	1	09 ⁽¹⁾		
NI1000-02				4	1	10 ⁽¹⁾		
0...1000 Ohm				5	2	06 ⁽¹⁾		
0...1 Vdc (**)				6				
0...10 Vdc (**)				7				
0...20 mA (**) (R _n = 100 Ohm)				8				
4...20 mA (**) (R _n = 100 Ohm)				9				
UNIT 2								
None (only with input 2 = none)							0	
°C							1	
% r.h.							2	
bar							3	
mbar							4	
Pa							5	
m/s							6	
ppm							7	
without unit							8	
RANGE 2								
None (only with input 2 = none)								00
0...+50 °C								01
-30...+50 °C								02
-10...+40 °C								03
0...+100 °C								04
-20...+80 °C								05
0...+100% r.h.								06
-50...+110 °C								07
-60...+600 °C								08
-50...+150 °C								09
-60...+200 °C								10
Range on request (*)								99
POWER SUPPLY								
230 Vac ±10% 50/60 Hz								1
12 Vac ±10% 50/60 Hz								2
OUTPUTS								
2 SPTD relays 8 A, 230 Vca								1

(*) to specify during the ordering process

(1) fixed ranges

(**) working range can be chosen only for models with current (mA) or voltage (Vdc) inputs

