



DAMPER ACTUATORS, 2-, 3-POINT AND PROPORTIONAL CONTROL (2 Nm)

DAK, DMK

FUNCTION

2- and 3-point or modulating 2...10 Vdc damper control.

APPLICATIONS

Designed for applications with small dampers (0.5 m²) of ventilation and air handling units.

FEATURES

- universal adapter for easy direct mounting
- shaft dimension Ø 6...16 mm / 5...11 mm square
- 40 mm minimum shaft length
- anti-rotation bracket
- manual override by push button when required
- selectable direction of rotation
- adjustable angle of rotation, mechanical end stops
- 1 adjustable SPDT auxiliary switches on request

TYPE	POWER SUPPLY	SIGNAL CONTROL
DAK24	24 Vac/dc	2-, 3-point
DAK24S	24 Vac/dc	2-, 3-point
DAK230	230 Vac	2-, 3-point
DAK230S	230 Vac	2-, 3-point
DMK24	24 Vac/dc	2...10 Vdc

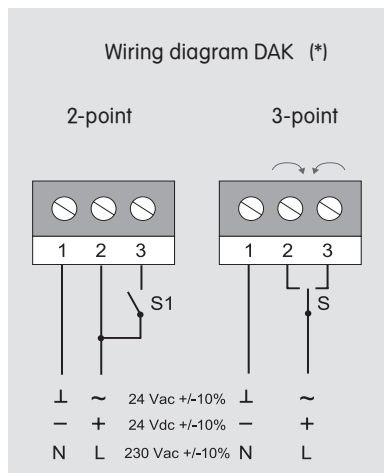
S models with 1 fixed auxiliary switch positioned on 10°

Actuator		DAK24	DAK230	DMK24
Damper area (*)	m ²	0.5	0.5	0.5
Torque	Nm	2	2	2
Power supply		24 Vac/Vdc	230 Vac	24 Vac/Vdc
Frequency	Hz	50...60	50...60	50...60
Power consumption				
W		2.0	1.5	2.5
VA		3.0	1.5	4.5
Stroke time	s	35...45	35...45	45...55
Weight	g	600	600	600
Control signal		2-, 3-point	2-, 3-point	2...10 Vdc
Aux. switch rating (only DAK...S)		1 x SPDT 5 (2.5) A / AC 250 V	1 x SPDT 5 (2.5) A / AC 250 V	-
Rotation angle:		95°	95°	95°
Protection class		III	II	III
Degree of protection		IP54	IP54	IP54
Room temperature		-20...+50°C	-20...+50°C	-20...+50°C
Room humidity		5...95% r.h.	5...95% r.h.	5...95% r.h.
Noise level		max 45 dB	max 45 dB	max 45 dB
Standards		CE	CE	CE

(*) the indication of the damper area is not significant, the data that must be taken into account is the value of the torque in Nm.

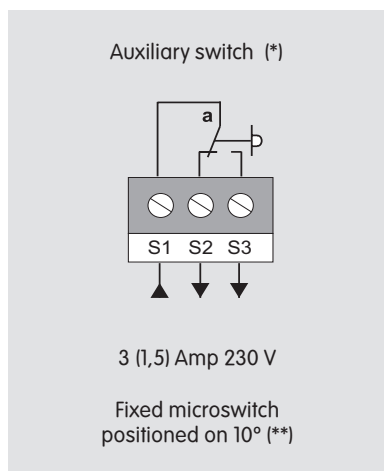
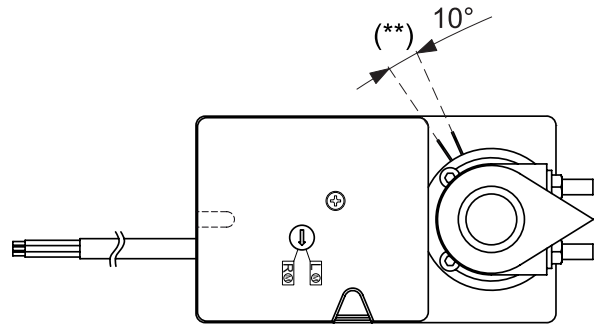
DAMPER ACTUATORS, 2-, 3-POINT AND PROPORTIONAL CONTROL (2 Nm)

DAK , DMK



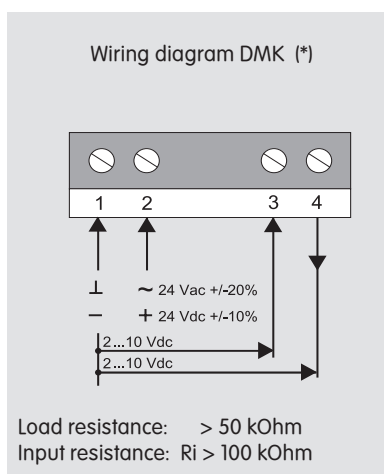
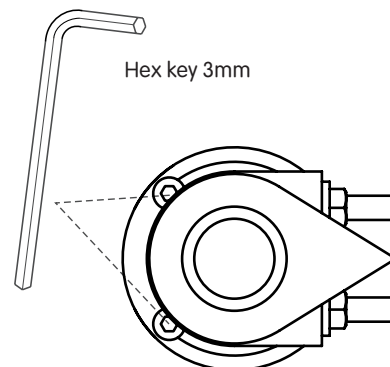
Direction of rotation setting

The direction of rotation can be changed by moving the switch to the position L or R.



Limitation of rotation angle

1. Loosen the screw of the mechanical limiter
2. Move the limiter to the appropriate position
3. Tighten the screw

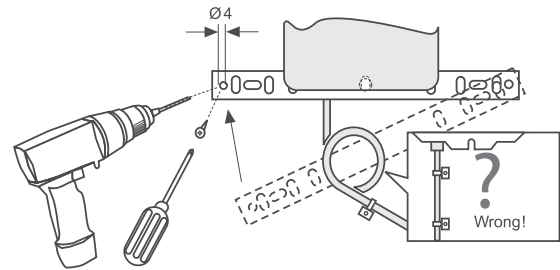
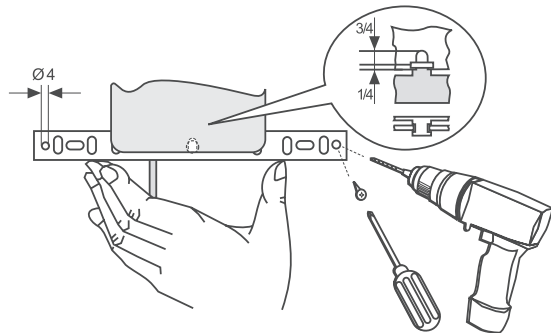


(*) Refer to the cable numbering

DAMPER ACTUATORS, 2-, 3-POINT AND PROPORTIONAL CONTROL (2 Nm)

DAK, DMK

INSTALLATION



DIMENSIONS (mm)

