

CABINET CAB-STD2 - CAB-STD3

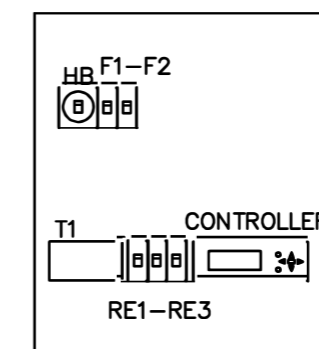
STANDARD DRAWING CAB-STD2 - CAB-STD3, Exigo Ardo 4.2

TITLE	DRAWING NO.	NUMBER OF SHEETS
LIST OF DOCUMENTS	1505C-1-01	1
PARTS LIST / ASSEMBLY DRAWING	1505C-2-01	1
CIRCUIT DIAGRAM	1505C-3-01	2
EXTERNAL CONNECTIONS	1505C-4-01	3

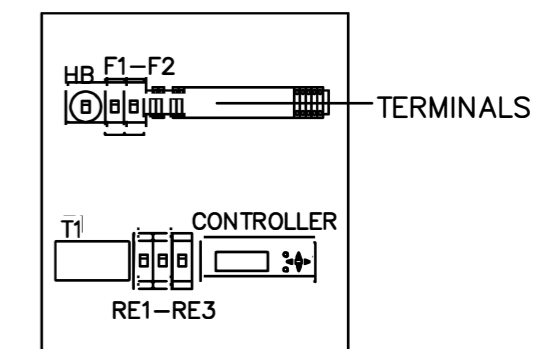
				REGIN	CAB-STD2 - CAB-STD3 CABINET LIST OF DOCUMENTS	Work No. 1505C-1-01	Drawing No. 1505C	
						Handled by AB REGIN	Drawn by CGJ	Designer CGJ
1	Removed CAB-STD1	KAR	20201104			Date 2016-04-26	Sheet 1-01	Cont. on 2-01
REV.	REVISION RECORD	SIGN.	DATE					

REF.	QUANTITY	DESIGNATION	TYPE / ARTICLE NUMBER	MANUFACTURER	NOTES
CAB-STD(X)	1	CABINET	DIN-RAIL CABINET KV9236	HENSEL	
HB	1	MAINS POWER SWITCH	KS3.40	ENSTO/MODERN ELTEKNIK	
T1	1	TRANSFORMER	PDS63-21224-M6P 230/2*12VAC 63VA	NORATEL	
(T1)	(1)	TRANSFORMER (ALT. TYPE)	RDS63-21224-M6P 230/24VAC 63VA	-"-	
101-102	2	TERMINAL	STS 2,5 (3036398)	PHOENIX	
103-104	2	-"-	STS 2,5	PHOENIX	
201-208	8	-"-	STS 2,5	-"-	
209-217	9	-"-	STS 2,5	-"-	ONLY IN CAB-STD3
218-226	9	-"-	STS 2,5	-"-	
227-232	6	-"-	STS 2,5	-"-	ONLY IN CAB-STD3
233-240	8	-"-	STS 2,5	-"-	ONLY IN CAB-STD2
233-240	4	-"-	STTB 2,5 (3031270)	-"-	ONLY IN CAB-STD3
241-248	4	-"-	STTB 2,5	-"-	ONLY IN CAB-STD3
249-250	2	-"-	STS 2,5	-"-	
	2	TERMINAL END COVER	D-STS 2.5 (3031762)	PHOENIX	FOR STS 2,5
	1	TERMINAL END COVER	D-STTB 2.5 (3030459)	PHOENIX	FOR D-STTB 2,5
	3	TERMINAL END SUPPORT	CLIPFIX-5 (3022276)	PHOENIX	
CONTROLLER	1	CONTROLLER	EXIGO ARDO XXX	REGIN	
F1-F2	2	CIRCUIT BREAKER	C60/C E 21 122 12 (REGIN #7381)	MERLIN GERIN/MODERN ELTEKNIK	
RE1-RE2	2	RELAY	GY1620B5 H-O-A 24VAC	SCHNEIDER	
RE3	1	RELAY	GY1620B5 H-O-A 24VAC	SCHNEIDER	ONLY IN CAB-STD3

CABINET	CONTROLLER	ETHERNET PORT	COM. PORT 1	COM. PORT 2	PLINT	RE1-2	RE3
	TO BE ORDERED SEPARATELY						
CAB-STD2	HCA152DW-3	X	RS485	-	101-104,201-208	X	-
	HCA151DW-3	X	-	-	218-226,233-240 249,250	X	-
CAB-STD3	HCA283DW-3	X	RS485	RS485	101-104,201-250	X	X
	HCA282DW-3	X	RS485	-		X	X
	HCA281DW-3	X	-	-		X	X
	HCA283DWM-3	X	RS485	M-BUS		X	X



FRONT



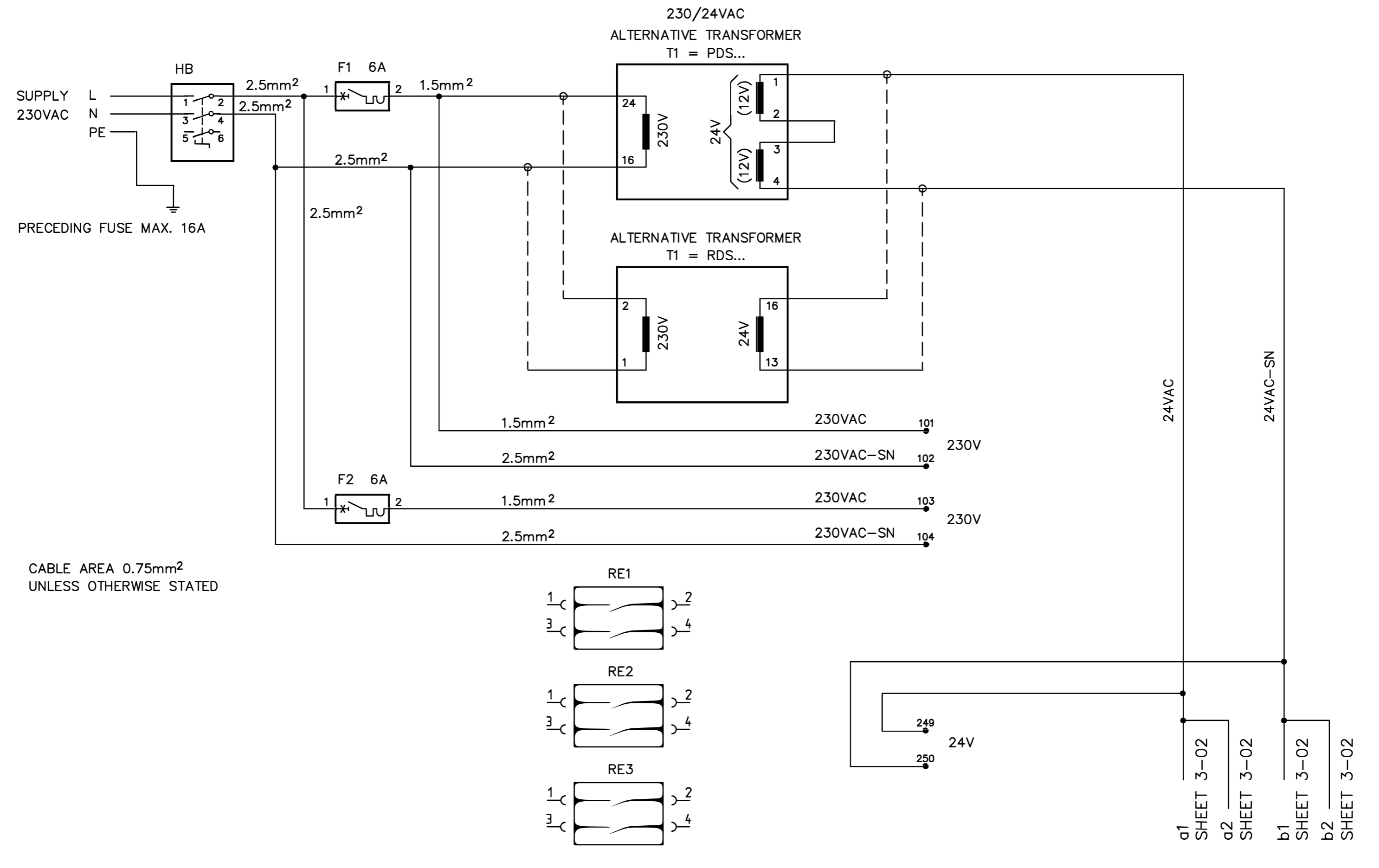
ASSEMBLY DRAWING

REV.	REVISION RECORD	SIGN.	DATE
1	Updated manufacturers	KAR	20201104
	Removed CAB-STD1		

REGIN

CAB-STD2 - CAB-STD3
CABINET
PARTS LIST / ASSEMBLY DRAWING

Work No. 1505C-2-01	Drawing No. 1505C	
Handled by AB REGIN	Drawn by CGJ	Designer CGJ
Date 2016-04-26	Sheet 2-01	Cont. on 3-01

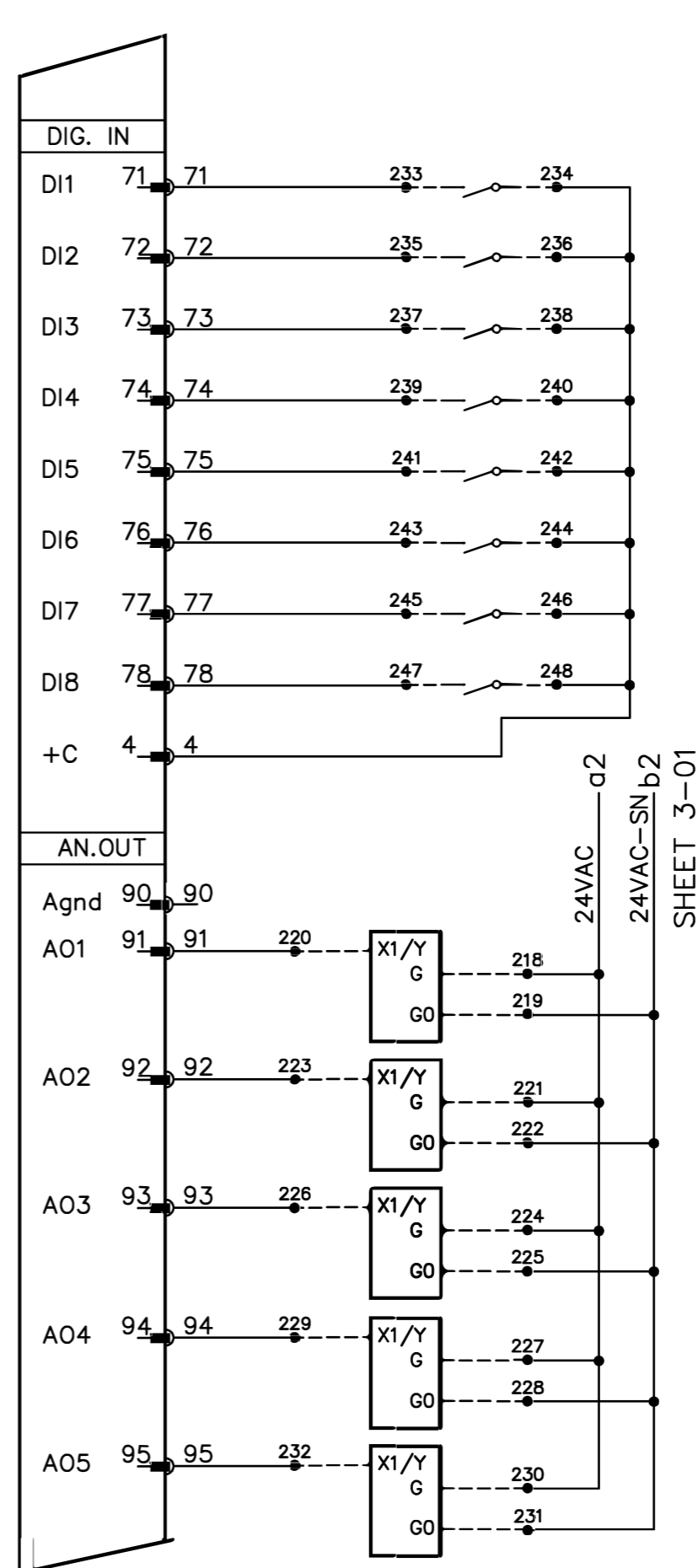
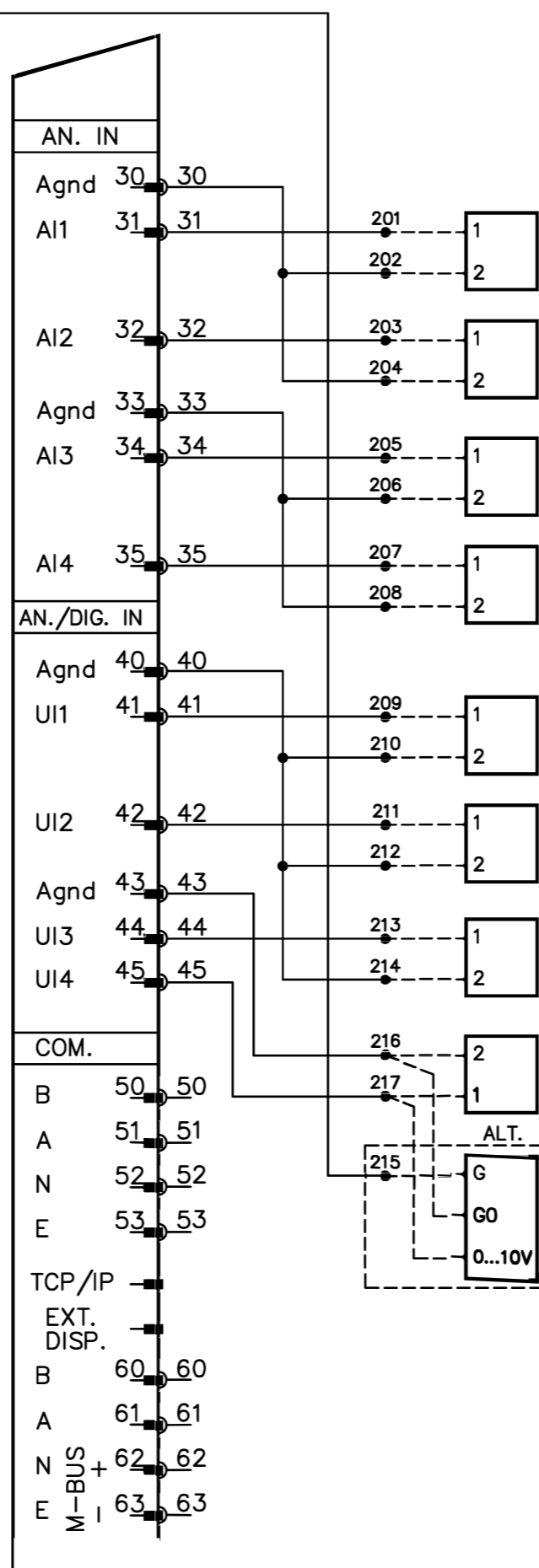
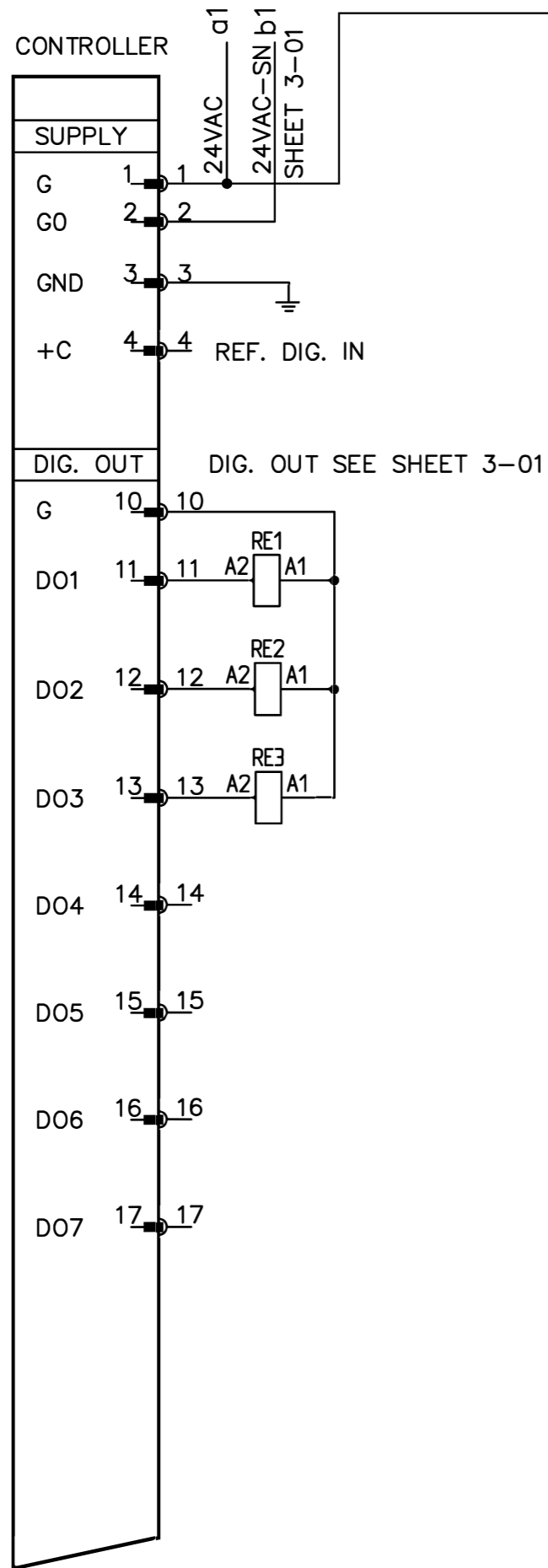


1	Removed CAB-STD1	KAR	20201104
REV.	REVISION RECORD	SIGN.	DATE

REGIN

CAB-STD2 - CAB-STD3
CABINET
CIRCUIT DIAGRAM

Work No. 1505C-3-01	Drawing No. 1505C	
Handled by AB REGIN	Drawn by CGJ	Designer CGJ
Date 2016-04-26	Sheet 3-01	Cont. on 3-02

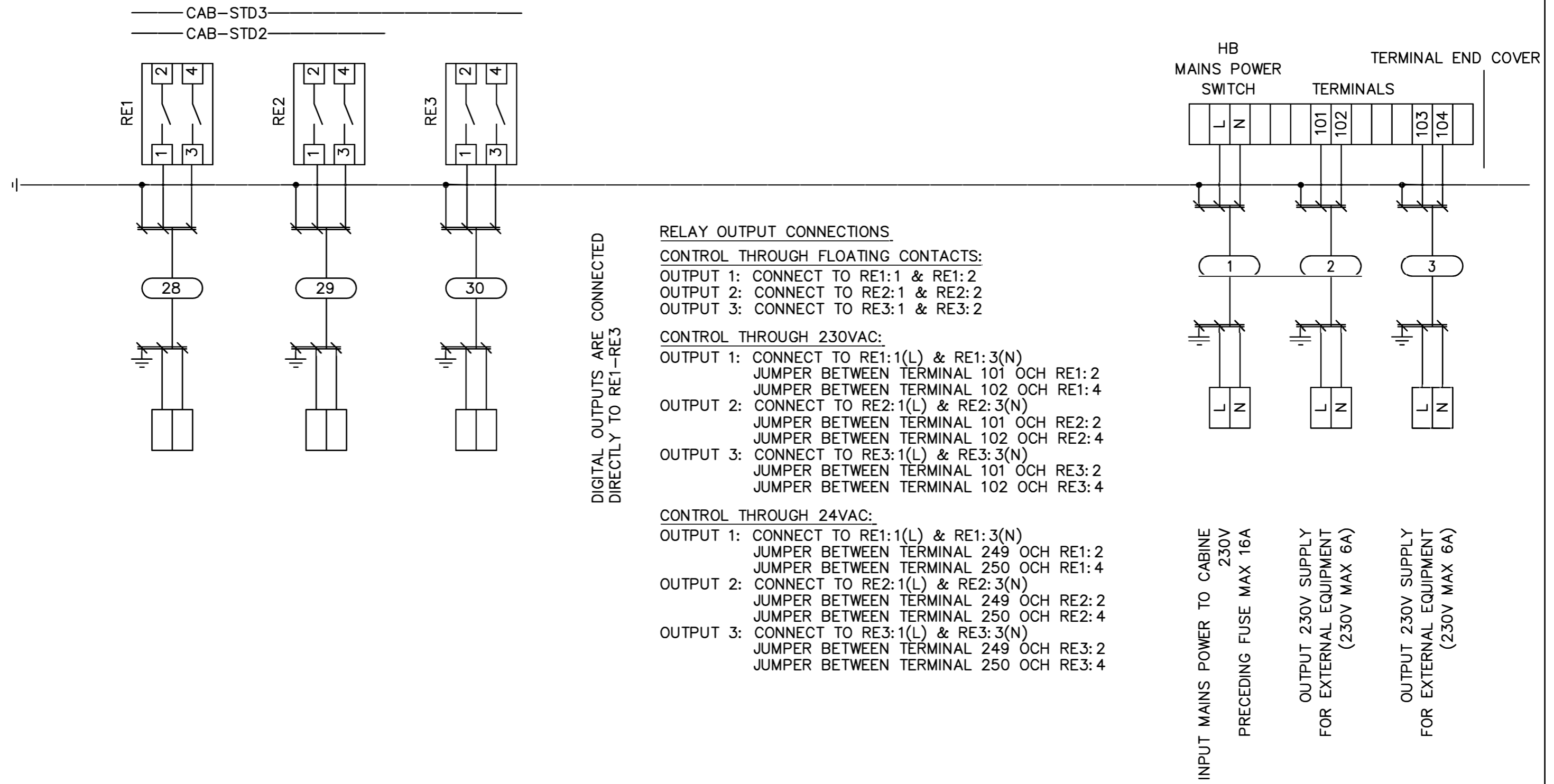


1	Removed CAB -STD1	KAR	20201104
REV.	REVISION RECORD	SIGN.	DATE

REGIN

CAB-STD2 - CAB-STD3
CABINET
CIRCUIT DIAGRAM

Work No. 1505C-3-02	Drawing No. 1505C	
Handled by AB REGIN	Drawn by CGJ	Designer CGJ
Date 2016-04-26	Sheet 3-02	Cont. on 4-01

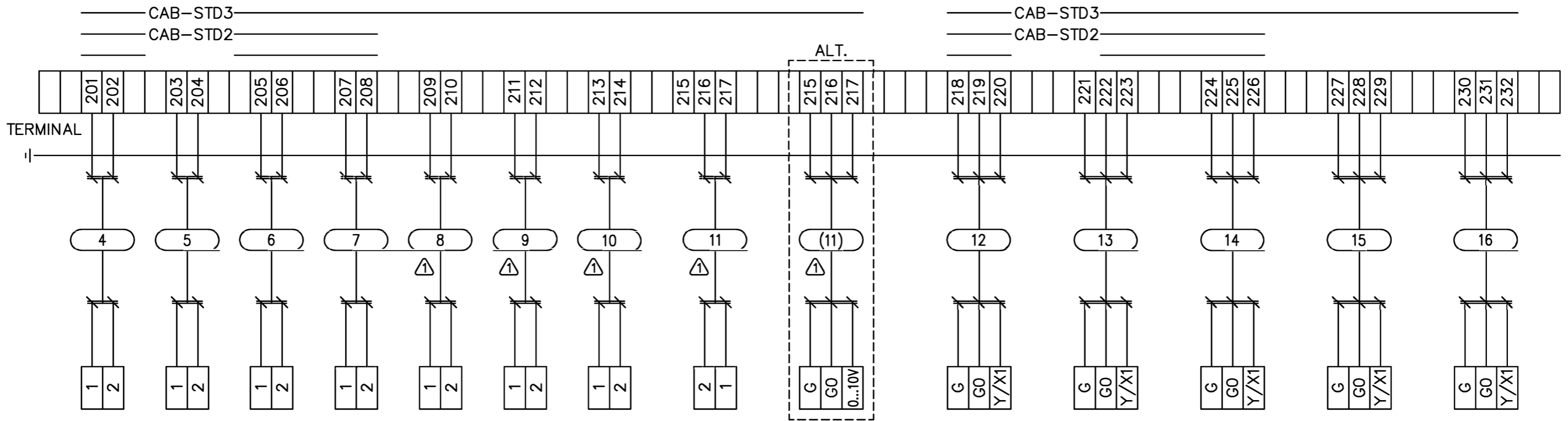


1	Removed CAB-STD1	KAR	20201104
REV.	REVISION RECORD	SIGN.	DATE

REGIN

CAB-STD2 - CAB-STD3
CABINET
EXTERNAL CONNECTIONS

Work No. 1505C-4-01	Drawing No. 1505C	
Handled by AB REGIN	Drawn by CGJ	Designer CGJ
Date 2016-04-26	Sheet 4-01	Cont. on 4-02

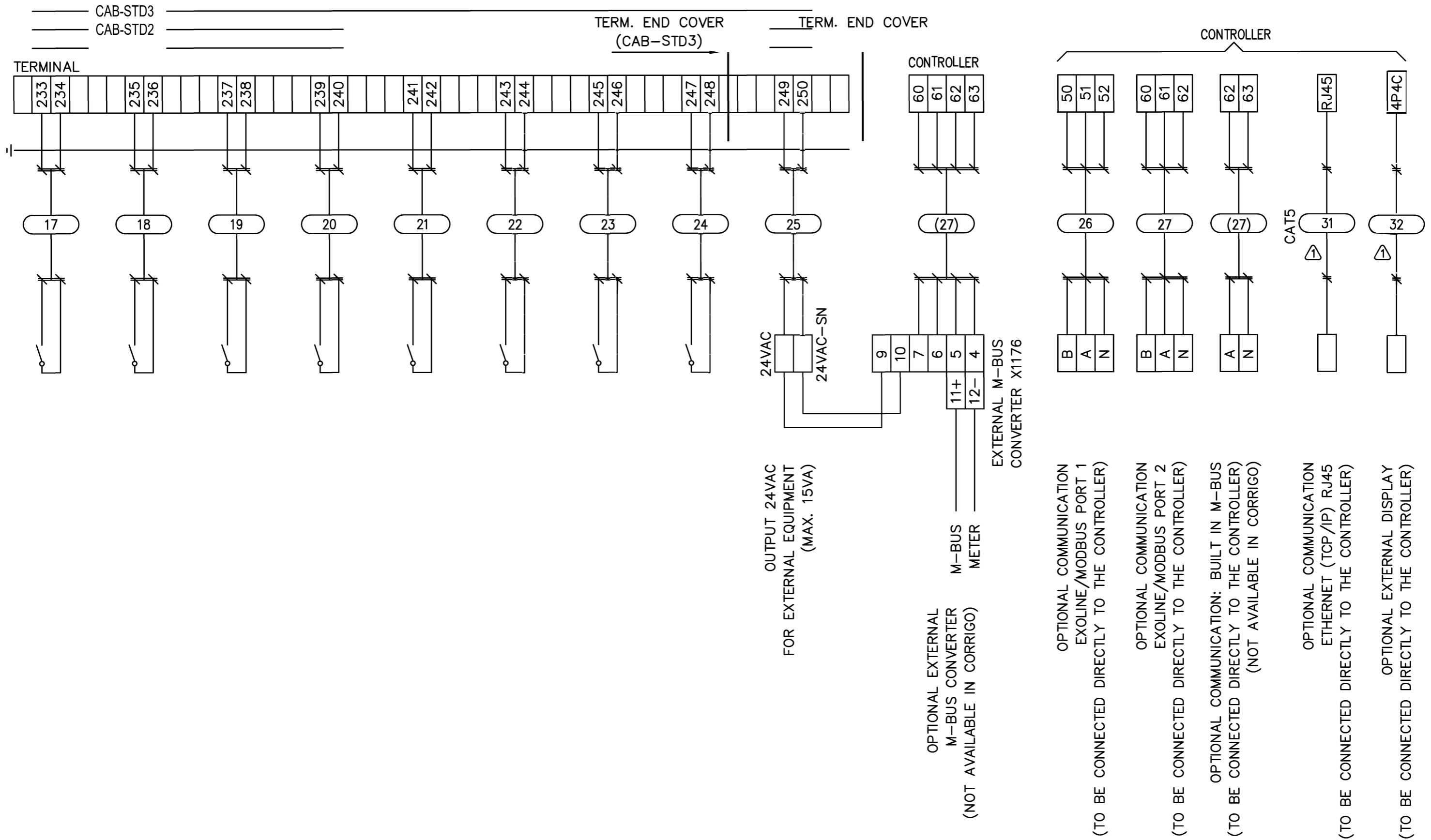


2	Removed CAB-STD1	KAR	20201104
⚠	CABLES RENUMBERED (8 WERE 7, 9 WERE 8 etc.)	BOB	20160426
REV.	REVISION RECORD	SIGN.	DATE

REGIN

CAB-STD2 - CAB-STD3
CABINET
EXTERNAL CONNECTIONS

Work No. 1505C-4-02	Drawing No. 1505C	
Handled by AB REGIN	Drawn by CGJ	Designer CGJ
Date 2016-04-26	Sheet 4-02	Cont. on 4-03



2	Removed CAB-STD1	KAR	20201104
⚠	CABLES RENUMBERED (31 WERE 28, 32 WERE 29)	BOB	20160426
REV.	REVISION RECORD	SIGN.	DATE

REGIN

CAB-STD2 - CAB-STD3
CABINET
EXTERNAL CONNECTIONS

Work No. 1505C-4-03	Drawing No. 1505C	
Handled by AB REGIN	Drawn by CGJ	Designer CGJ
Date 2016-04-26	Sheet 4-03	Cont. on --