



## CLAMP-ON THERMOSTAT, IP20

AT

### FUNCTION

Single-stage fluid temperature control in metal pipes for heating, cooling and air conditioning plants.  
Models with setpoint adjustment by knob on or under the cover, sensible element and mounting clamp for direct fixing on pipe.

### APPLICATIONS

Well-suited for heating, cooling and air conditioning systems in strong polluted areas, domestic and industrial areas, commercial buildings, sport halls, storage room, garages, machine rooms, factories, greenhouses and agricultural installations.

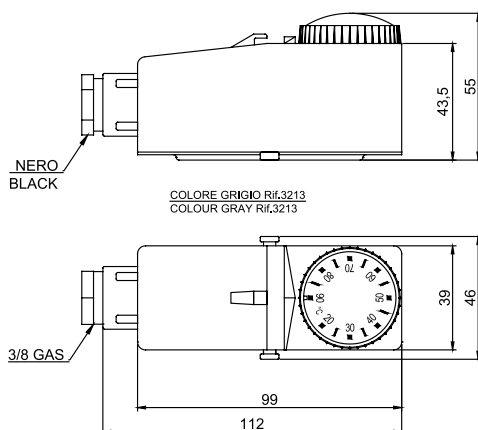
TYPE	RANGE °C	DIFFERENTIAL K	MAX. TEMP. SENSIBLE ELEMENT °C
AT2090	+20...+90	8±3	90
AT2090U	+20...+90	8±3	90

U models with range under the cover

### TECHNICAL DATA

**Sensitive element:** liquid-filled coiled copper bulb for contact  
**Contacts:** dust-tight microswitches with SPDT contacts (heat/cool)  
**Switch capacity:** 16 (2,5) A, 250 Vac / 2,5 A, 250 Vac  
**Differentials:** see schedule  
**Working:** -15...+85 °C  
10...90% r.h. (without condensing)  
**Storage:** -15...+60 °C  
< 95% r.h.  
**Housing:** zinc-plated steel plate,  
not sealed ABS cover  
**Protection:** IP20, class I  
**Size:** 39 x 55 x 112 mm  
**Weight:** 150 g

### DIMENSIONS (mm)



### WIRING DIAGRAM

#### Heating

Connect to terminal 1 and to terminal 2 (fig. 1).  
The contact opens during the temperature rising.

#### Cooling

Connect to terminal 1 and to terminal 3 (fig. 1).  
The contact opens during the temperature dropping.

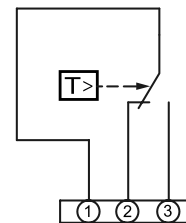
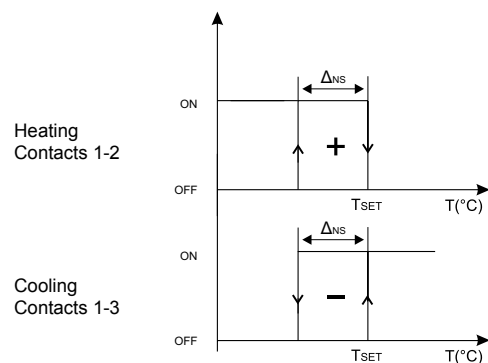


fig. 1

### Logic activation:



ΔNS: differential in the stage  
T<sub>SET</sub>: setting setpoint  
ON: closed contact  
OFF: open contact

