

# M4G95 I

## 4G router



*Highly reliable, fast, and secure 4G router for professional applications*

- ✓ Wireless AP, 4-port router with DHCP server and firewall in one device
- ✓ 4G, 3G, GSM/GPRS/EDGE and WiFi
- ✓ Dual SIM
- ✓ Dynamic DNS
- ✓ Durable aluminum housing with LED indicators for signal strength and possibility for four external antennas

## Application

M4G951 is a 4G router for use between TCP/IP connected controllers and a wireless, mobile 4G/3G/GPRS network. Controllers connected through a mobile 4G network offer a highly flexible solution and using this router requires no previous building network installations.

The router can be used for communication between multiple controllers and EXOscada/CLOUDigo. It is also possible to connect a computer to service the controllers from a remote location.

## Network and configuration

The router is not locked to any specific network provider.

Since data usage can vary between applications, it is recommended to select a network provider that offers SIM cards with a fixed rate or sufficient data traffic.

When starting up, configuration is performed via a user friendly System Configuration Wizard and internal web pages. The web pages also make it easy to keep track of the overall data traffic.

## WiFi

The router has WiFi functionality, further extending options for connectivity. It is, however, recommended to turn off the WiFi during operation or protect the network with a strong and secure password in order to limit data usage.

## Remote web management

The router uses software which makes it easy to find over the internet. The software makes it simple to locate the connected units in the application and to connect to them.

### HEAD OFFICE SWEDEN

Phone: +46 31 720 02 00  
 Web: [www.regincontrols.com](http://www.regincontrols.com)  
 E-mail: [info@regincontrols.com](mailto:info@regincontrols.com)

M4G95 I

## Dual SIM cards

The router features two SIM card slots. It can switch between these at a predetermined data limit, a certain signal strength or when using roaming over country borders.

## Automatic reboot

The router will reboot automatically if losing contact with the network. The router can also be rebooted via SMS.

## Installation

The router can be mounted on a DIN rail. For the best signal strength possible, the router should be placed in a clear and open space.

## Technical data

<b>Connections</b>	RJ45 (3 LAN, 1 WAN), WiFi
<b>Communication</b>	TCP/IP
<b>Mobile network</b>	4G (LTE) – Cat 4 up to 150 Mbps, 3G – up to 42 Mbps, 2G – up to 236.8 kbps
<b>Ethernet</b>	IEEE 802.3, IEEE 802.3u standards 3 LAN 10/100 Mbps Ethernet ports 1 WAN 10/100 Mbps Ethernet port
<b>WiFi</b>	IEEE 802.11 b/g/n WiFi standards
<b>SIM card slots</b>	2
<b>Software</b>	Open VPN, IPsec, GRE, L2TP, PPTP Dynamic DNS SIM-card switch controlled by signal, data limit, roaming Firmware update from bootloader via WebUI
<b>Power Supply</b>	9 - 30 V DC. Wall adapter included.
<b>Power consumption</b>	<7 W
<b>Operating temperature</b>	-40 °C ... +75 °C
<b>Dimensions (HxWxD)</b>	110 mm x 50 mm x 100 mm
<b>Weight</b>	287 g
<b>Housing</b>	Aluminum



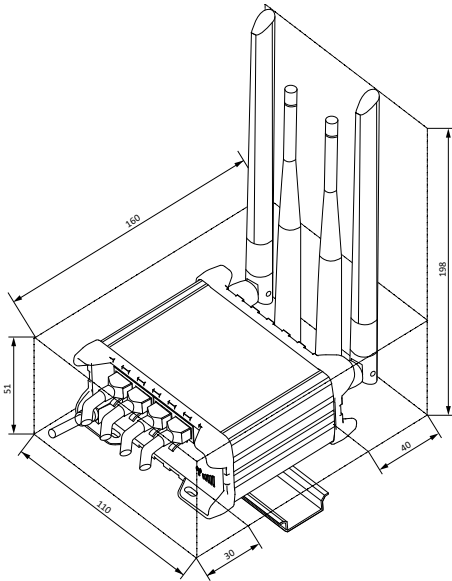
This product carries the CE-mark. More information is available at [www.regincontrols.com](http://www.regincontrols.com).

## Accessories

Article	Description
MXGDIN	Kit for mounting M4G951 on a DIN rail

## Dimensions

Observe these dimensions for DIN rail mounting.



[mm]

## Wiring

Connect to the wireless network or via Ethernet.

## Documentation

All documentation can be downloaded from [www.regincontrols.com](http://www.regincontrols.com) or the [Teltonika website](#).