



# DBAT

Clamp-on thermostats, IP65

Serie of clamp-on thermostats IP65 for use in cooling, heating and ventilation systems.

- Wide setpoint range
- Adjustable hysteresis
- Protection class IP65
- Breaking capacity 15 A at 230 V AC

---

## Function

The DBAT electromechanical thermostats are made of two parts: a fluid filled capillary tube and a housing containing the sensor that transmits temperature variations to a micro-switch with SPDT contacts. The micro-switch is capable of interrupting up to 15 A at 230 V AC.

Each model also has a sensor element and mounting clamp for direct fixing on a pipe.

## Features

### HYSTERESIS

The thermostat have adjustable hysteresis 2...20 K.

### SETPOINT ADJUSTMENT

Models are available with setpoint adjustment via a knob mounted on the cover of the unit. It is also possible to recalibrate the scale using the hexagonal nut under the knob.

---

### MAIN OFFICE BRESSANONE

I-39042 Bressanone (BZ)  
via Julius-Durst-Str. 70  
VAT No. IT02748450216

tel: +39 0472 830626  
fax: +39 0472 831840  
www.industrietechnik.it

DBAT

## Technical data

<b>Sensor element</b>	Liquid-filled coiled copper bulb
<b>Contacts</b>	Dust-tight microswitches with SPDT contacts (heat/cool)
<b>Breaking capacity</b>	15 (8) A, 24...250 V AC
<b>Ambient temperature</b>	-35...+65 °C
<b>Ambient humidity</b>	10...90 % RH (non-condensing)
<b>Storage temperature</b>	-40...+70 °C
<b>Storage humidity</b>	< 95 % RH
<b>Weight</b>	410g
<b>Protection class</b>	IP65
<b>Isolation class</b>	I

## Material

<b>Casing</b>	Base in Bayblend®, cover in ABS
---------------	---------------------------------

## Models

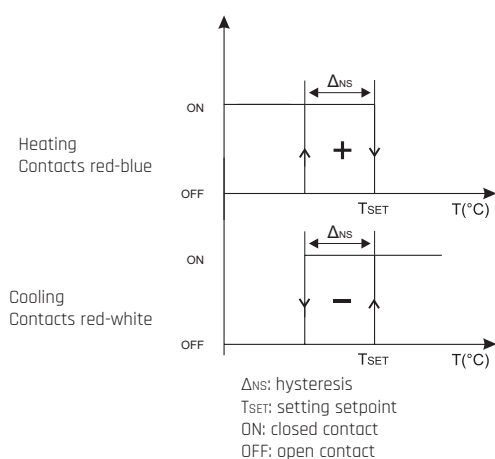
Article	Temperature range	Max. bulb temperature	Hidden setpoint	Hysteresis
DBAT-3	0...60 °C	75 °C	-	2...20 K
DBAT-3U	0...60 °C	75 °C	X	2...20 K
DBAT-5	20...90 °C	90 °C	-	2...20 K
DBAT-5U	20...90 °C	90 °C	X	2...20 K

## CE

**Low Voltage Directive (LVD):** This product conforms to the requirements of the European Low Voltage Directive (LVD) 2014/35/EU through product standards EN 60335-1.

**RoHS:** This product conforms to the Directive 2011/65/EU of the European Parliament and of the Council through standard EN 50581:2012.

## Logic activation



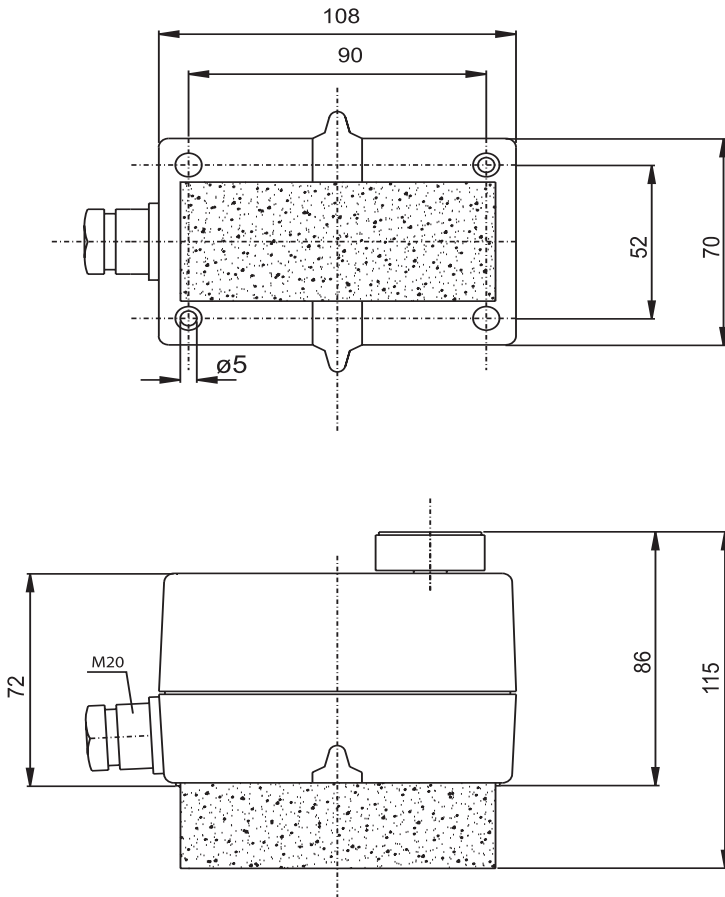
### MAIN OFFICE BRESSANONE

I-39042 Bressanone (BZ)  
 via Julius-Durst-Str. 70  
 VAT No. IT02748450216

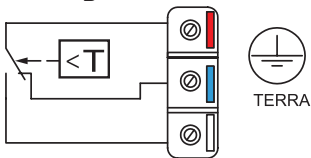
tel: +39 0472 830626  
 fax: +39 0472 831840  
 www.industrietechnik.it

DBAT

## Dimensions



## Wiring



**Heating:** Connect to the red and blue terminal. The contact will open when the temperature rises.

**Cooling:** Connect to the red and white terminal. The contact will open when the temperature drops.

## Documentation

Document	Description
Instruction DBAT_inst_it_en	Instructions for installation

The product documentation can be downloaded from [www.industrietechnik.it](http://www.industrietechnik.it)

### MAIN OFFICE BRESSANONE

I-39042 Bressanone (BZ)  
via Julius-Durst-Str. 70  
VAT No. IT02748450216

tel: +39 0472 830626  
fax: +39 0472 831840  
[www.industrietechnik.it](http://www.industrietechnik.it)

DBAT

- 3 -